



★ 坚硬耐用 勇创第一

Hard and Wear
Resistance Effort to
Be The Best

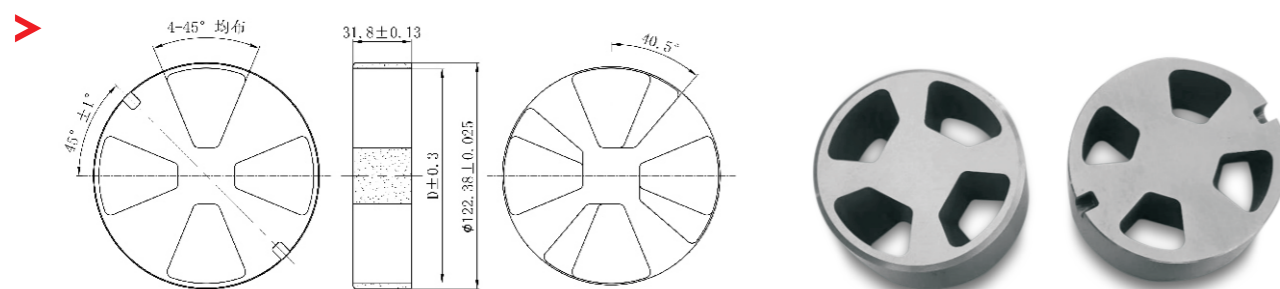


▼ 产品介绍 Product introduction

1 / 无线随钻测量仪用系列配件 Cemented Carbide Accessories for MWD & LWD

合金定子

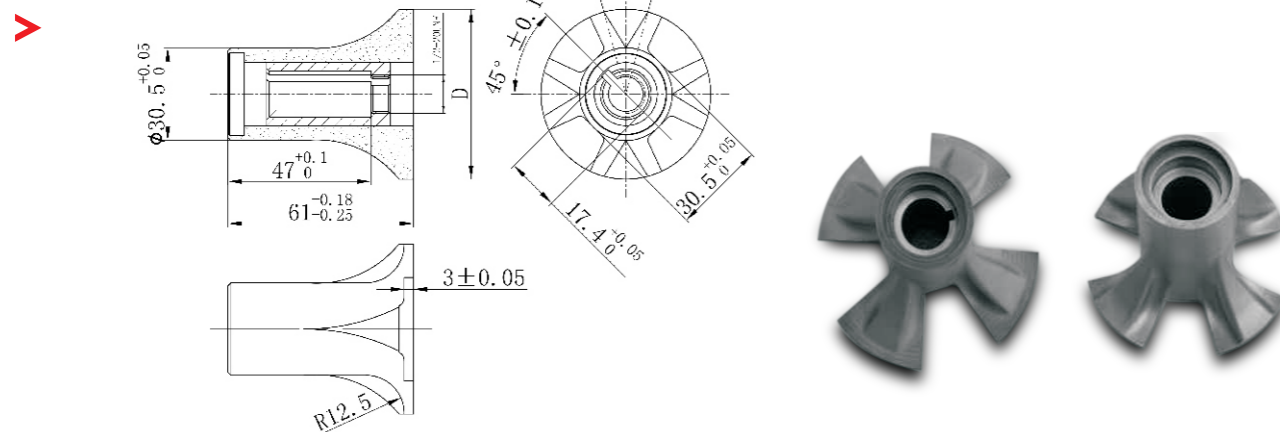
Carbide Stator



型号/Code	3.44"	4.125"	5.25"
尺寸/Size Φ D(mm)	56.6/69.9/75.7	75.2/86.4	86.4/94.7/116.3
备注/Note	每种型号有两种或者三种规格 There are two or three specifications for each code		

合金转子

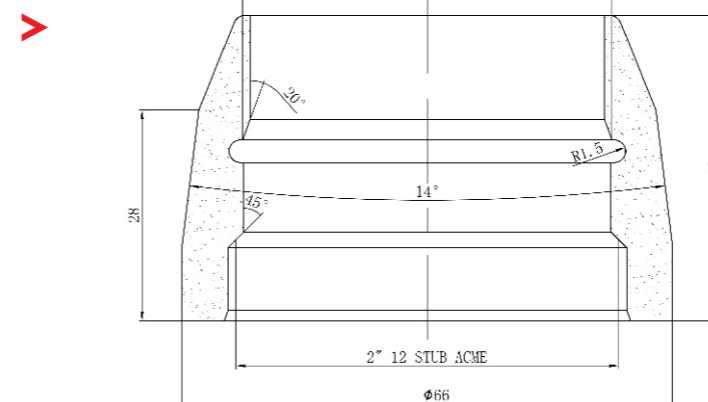
Carbide Rotator



型号/Code	3.44"	4.125"	5.25"
尺寸/Size Φ D(mm)	55.9/69.1	73.7/80.3	80.3/86.4/107
备注/Note	每种型号有两种或者三种规格 There are two or three specifications for each code		

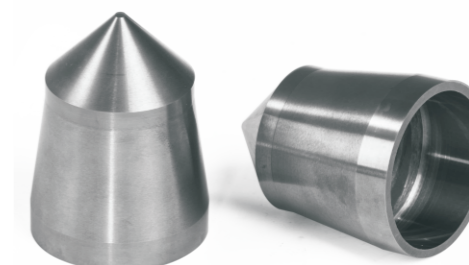
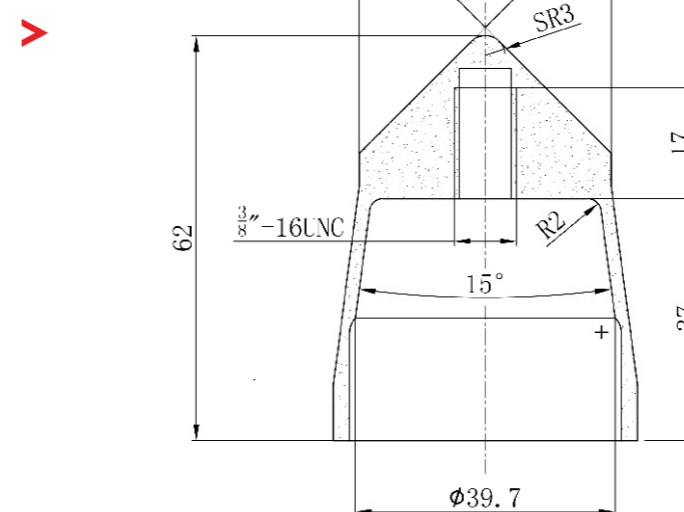
鼻帽

Nose Cap



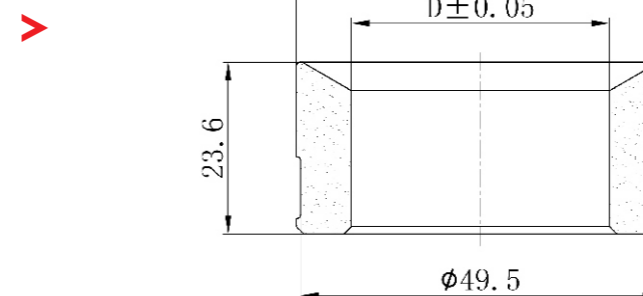
提升阀 (蘑菇头)

Lift valve (Mushroom Head)



限流环

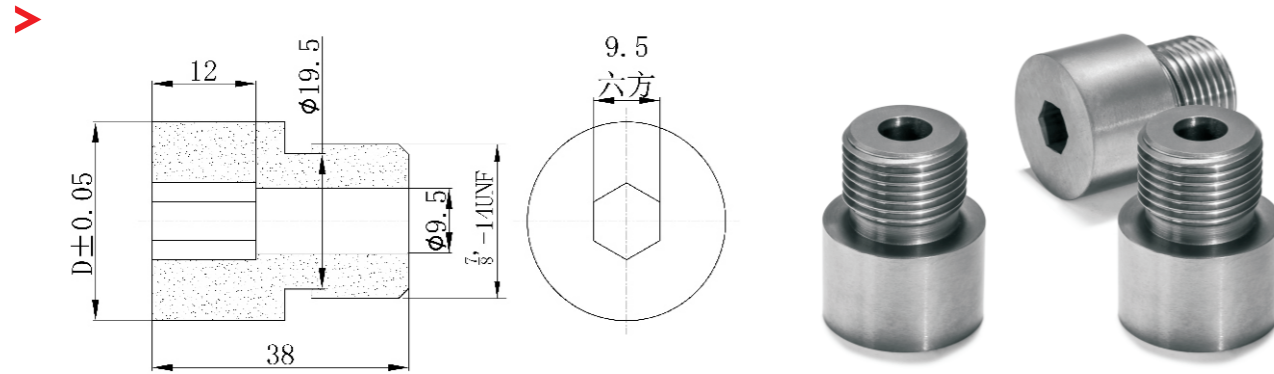
Flow Limitation Ring



型号/Code	FR01	RR02	FR03	FR04	FR05	FR06	FR07
尺寸/Size Φ D(mm)	31.75	32.5	34.3	35.56	38.1	39.4	40.6

主阀芯

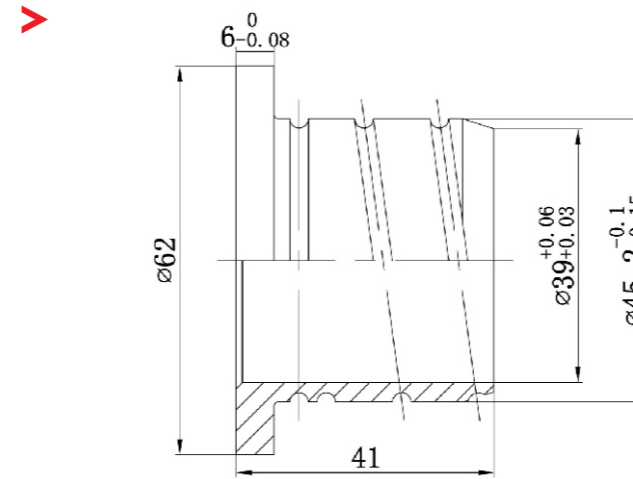
Main Valve Core



型号/Code	MC01	MC02	MC03	MC04	MC05
尺寸/Size $\phi D(\text{mm})$	26.4	27.7	28.58	29.2	29.6

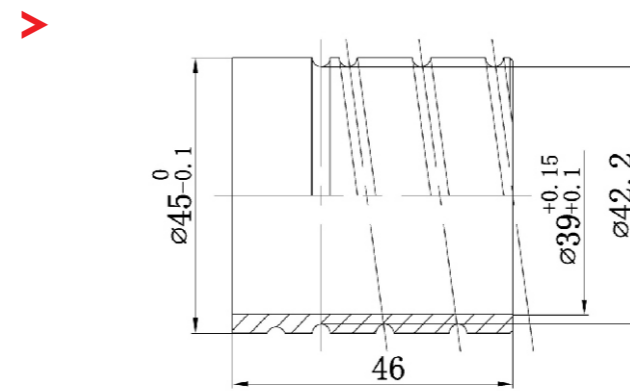
下轴承套

Bushing Bottom Shaft



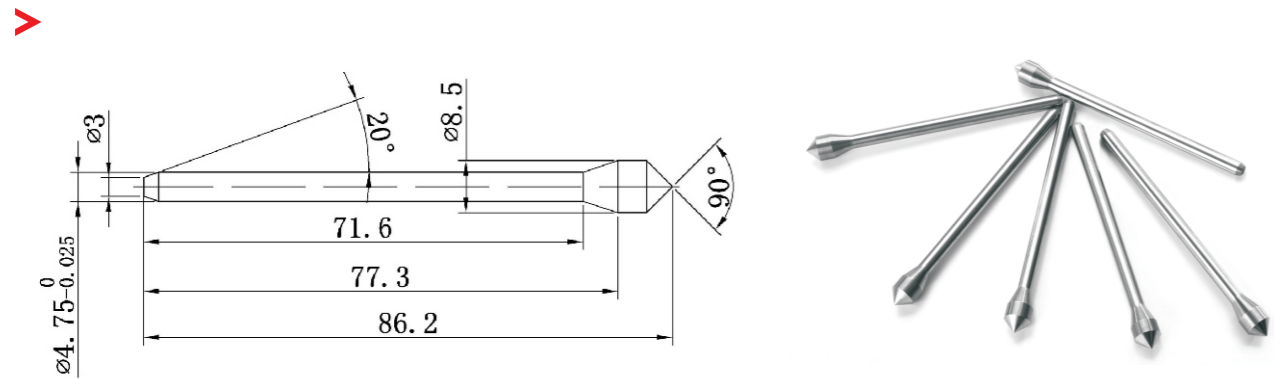
耐磨轴承套

Wear Bearing Sleeve



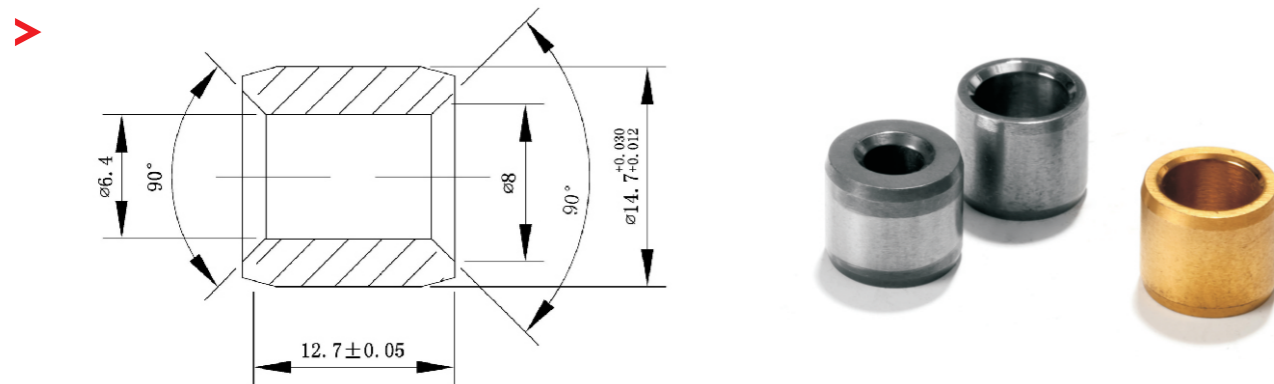
电磁阀阀杆

Magnet-valve Stem



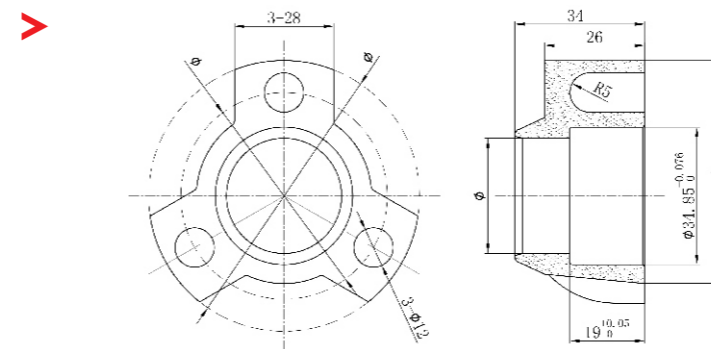
电磁阀阀座

Magnet-valve Seat



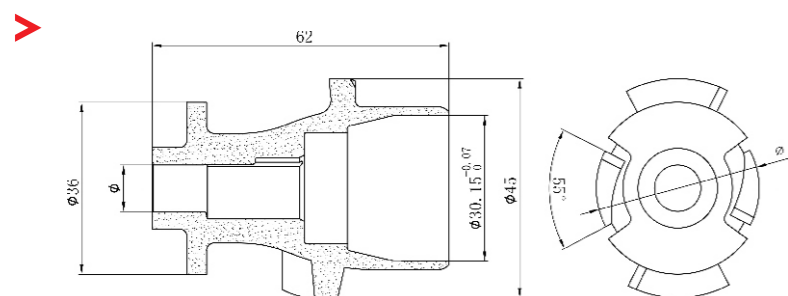
减速器

Reducer



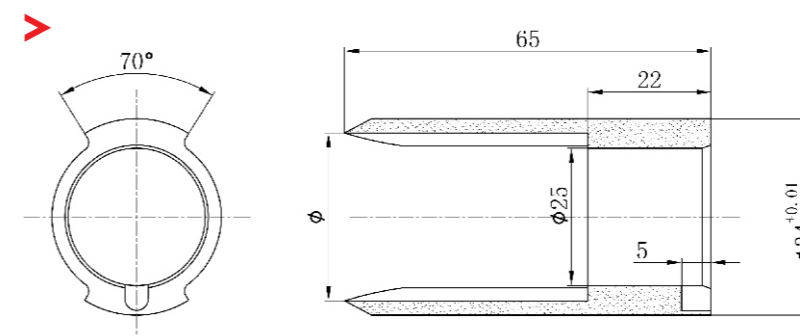
限流转子

Restrictor & Impeller



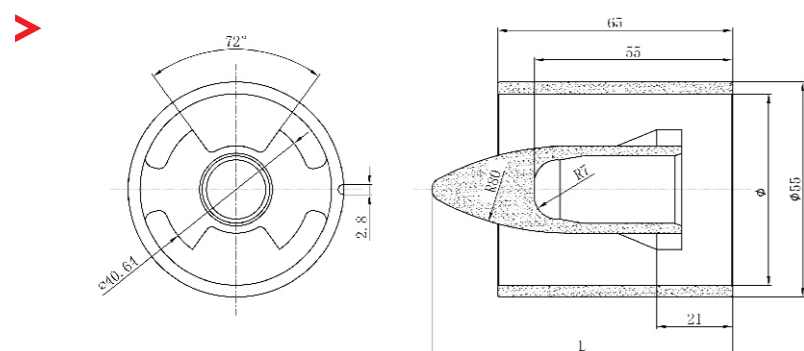
耐磨轴套

Wear Sleeve



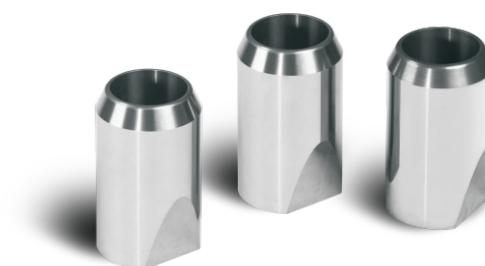
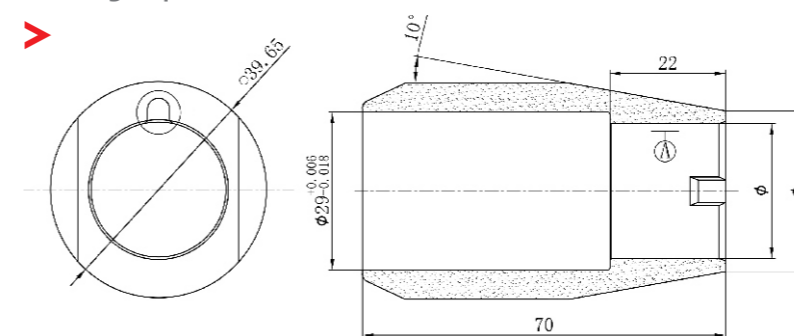
限流定子

Lower Stator



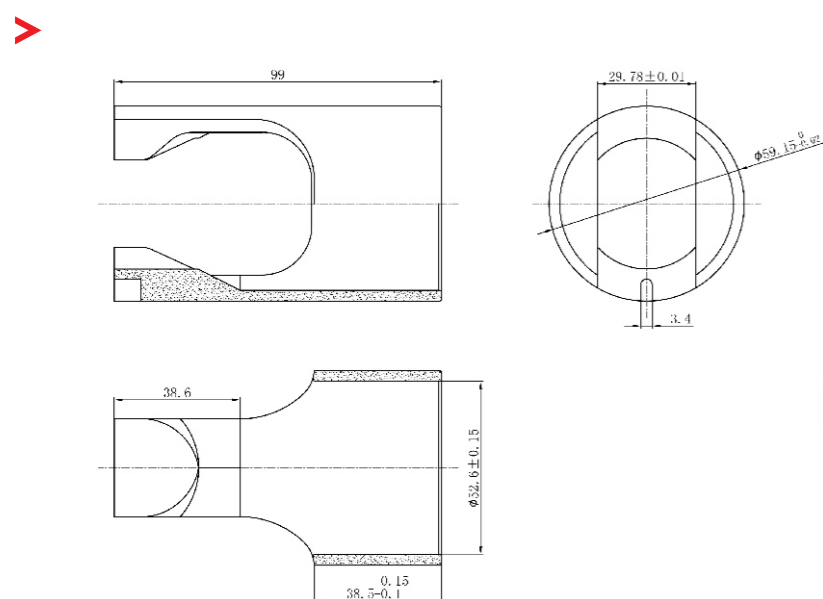
耐磨轴承套

Bearing Cap



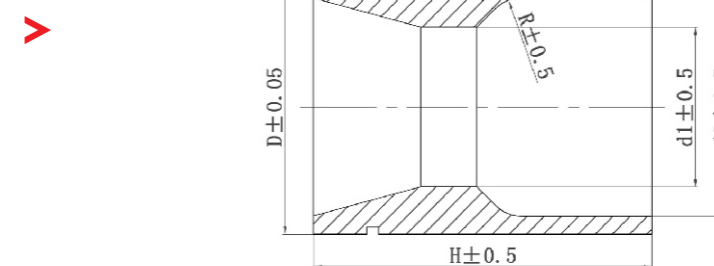
调制器耐磨套

Modulator Wear Sleeve



限流套筒

Flow Limitation Sleeve

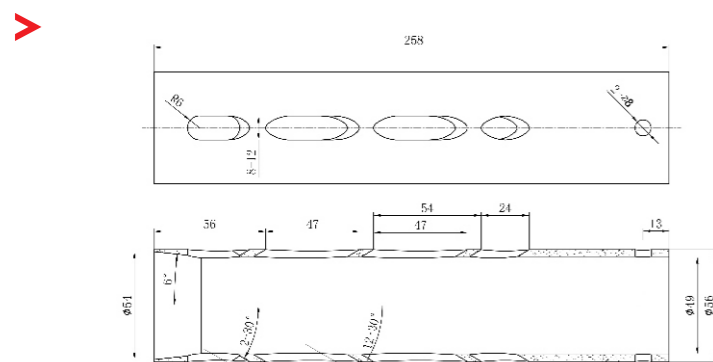


型号/Code	XLT35	XLT46	XLT70
H(mm)	53.0	67.0	140.0
D(mm)	50.0	68.0	99.0
D ₁ (mm)	46.0	58.0	88.0
D ₂ (mm)	35.0	43.0	66.0
R(mm)	5.0	5.0	15.0

2 / 油气层压裂和水力喷射器用系列配件 Cemented Carbide Accessories for Oil and Gas Layer Fracturing And Hydraulic Ejector

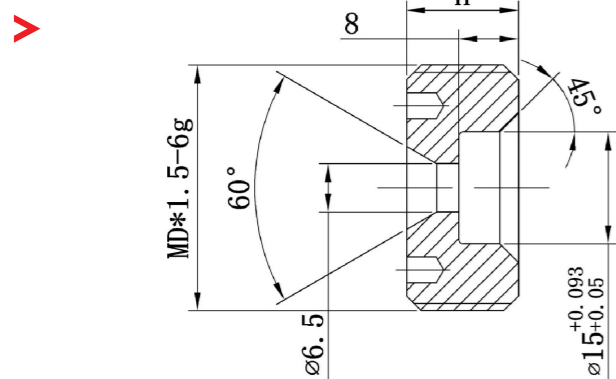
防反溅保护盖

Protective Sleeve
Packing Tool



定位螺套

Positioning Threaded
Sleeve

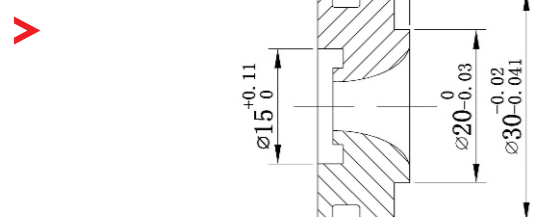


型号/Code	DI01	DI02
尺寸 D(mm)	30	33
H(mm)	15	15



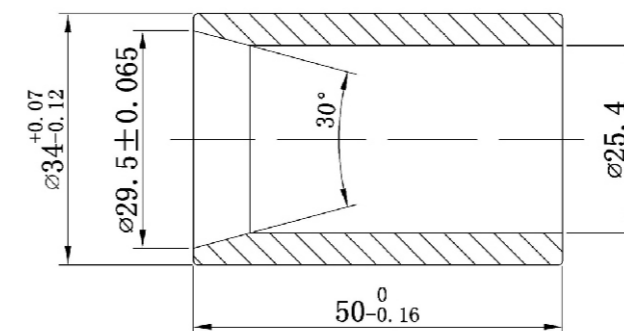
锥孔密封套

Bore-hole Sealing
Sleeve



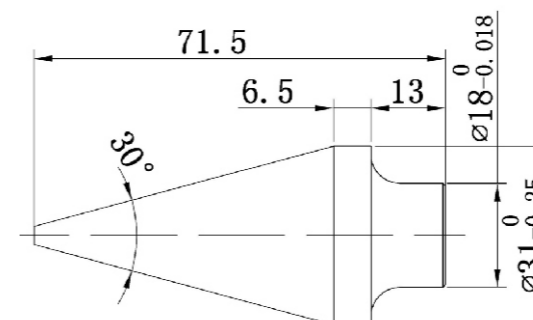
溢流阀阀座

Overflow
Valve Seat



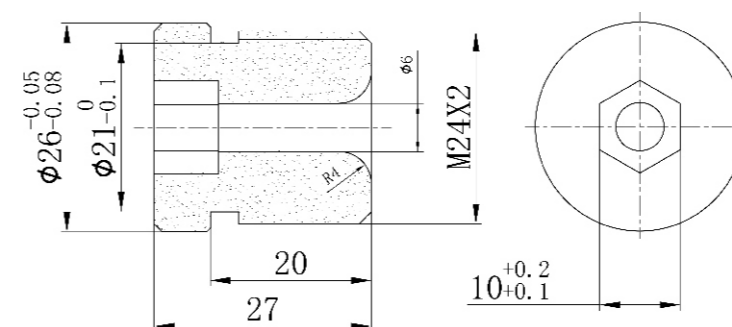
溢流阀阀芯

Overflow
Valve Spool



超硬合金喷嘴

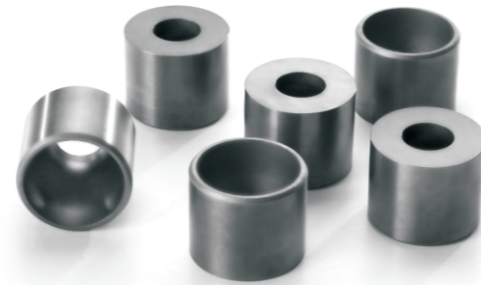
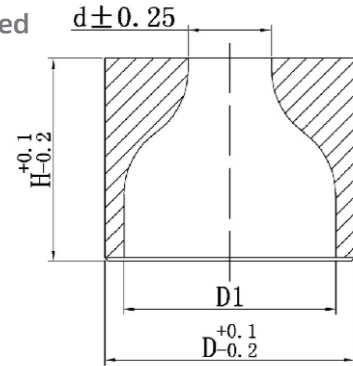
Superhard Carbide
Nozzle



4 / 三牙轮钻头用可换式喷嘴 (水眼) Cemented Carbide Nozzles for Roller Cone Bits

S 型无盖喷嘴

S Type Uncovered Nozzle



型号/Code	S1	S2	S3	S4	S5
D(mm)	20.3	23.5	29.8	33	40.8
D1(mm)	16	19	25	28	36
H(mm)	17.5	19	21	26.9	26.9
d(mm)	6~14	6~16	6~24	6~24	6~22

S型无盖喷嘴孔径规格符合下表规定 / Diameter Size for S Type Nozzle Orifice is as following

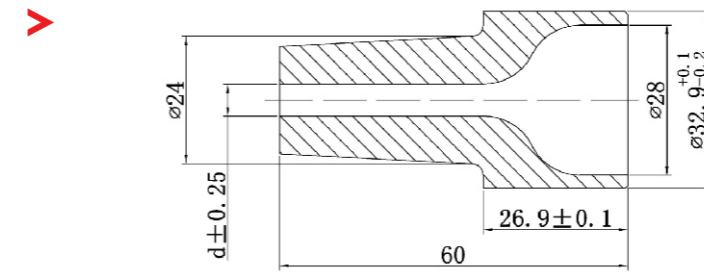
S型无盖喷嘴/S Type Uncovered Nozzles										d (mm)	
S1		S2		S3		S4		S5		第一系列	第二系列
新标/New Code	旧标/Old Code	新标/New Code	旧标/Old Code	新标/New Code	旧标/Old Code	新标/New Code	旧标/Old Code	新标/New Code	旧标/Old Code		
S1-6	GΦ6	S2-6	FΦ6	S3-6	HΦ6	S4-6	KΦ6	S5-6	LΦ6	6.35	6
S1-7	GΦ7	S2-7	FΦ7	S3-7	HΦ7	S4-7	KΦ7	S5-7	LΦ7	7.14	7
S1-8	GΦ8	S2-8	FΦ8	S3-8	HΦ8	S4-8	KΦ8	S5-8	LΦ8	7.92	8
S1-9	GΦ9	S2-9	FΦ9	S3-9	HΦ9	S4-9	KΦ9	S5-9	LΦ9	8.74	9
S1-10	GΦ10	S2-10	FΦ10	S3-10	HΦ10	S4-10	KΦ10	S5-10	LΦ10	9.53	10
							KΦ10.3			10.31	
S1-11	GΦ11	S2-11	FΦ11	S3-11	HΦ11	S4-11	KΦ11	S5-11	LΦ11	11.13	11
S1-12	GΦ12	S2-12	FΦ12	S3-12	HΦ12	S4-12	KΦ12	S5-12	LΦ12	11.91	12
S1-13	GΦ13	S2-13	FΦ13	S3-13	HΦ13	S4-13	KΦ13	S5-13	LΦ13	12.70	13
							KΦ13.5			13.49	
S1-14	GΦ14	S2-14	FΦ14	S3-14	HΦ14	S4-14	KΦ14	S5-14	LΦ14	14.27	14
		S2-15	FΦ15	S3-15	HΦ15	S4-15	KΦ15	S5-15	LΦ15	15.08	15
		S2-16	FΦ16	S3-16	HΦ16	S4-16	KΦ16	S5-16	LΦ16	15.88	16
				S3-17	HΦ17	S4-17	KΦ17	S5-17	LΦ17	16.67	17
							KΦ17.5			17.48	
				S3-18	HΦ18	S4-18	KΦ18	S5-18	LΦ18	18.26	18
				S3-19	HΦ19	S4-19	KΦ19	S5-19	LΦ19	19.05	19
				S3-20	HΦ20	S4-20	KΦ20	S5-20	LΦ20		20
				S3-21	HΦ21	S4-21	KΦ21	S5-21	LΦ21	20.64	21
				S3-22	HΦ22	S4-22	KΦ22	S5-22	LΦ22	22.23	22
				S3-24	HΦ24	S4-24	KΦ24			23.81	24

无盖喷嘴型式与三牙轮钻头尺寸对照表 / Table of classification of Nozzles code and Roller Cone Bits size.

喷嘴型式 Nozzles Code	钻头直径尺寸/Outside Diameter of Roller Bits mm(in)				
	95.2 ~ 120.6 (3 3/4 ~ 4 3/4)	142.9 ~ 171.4 (5 5/8 ~ 6 3/4)	190.5 ~ 200.0 (7 1/2 ~ 7 7/8)	212.7 ~ 349.2 (8 3/8 ~ 13 3/4)	374.1 ~ 660.4 (14 3/4 ~ 26)
新标/New Code	S1	S2	S3	S4	S5
旧标/Old Code	G	F	H	K	L

A 型中长喷嘴

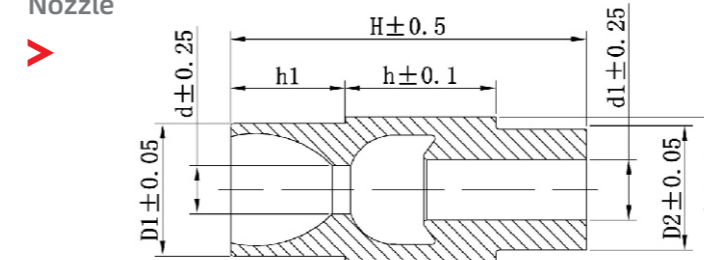
A Type Long Nozzle



型号/Code	A6	A7	A8	A9	A10	A11	A12	A13	A14	A15
尺寸/Size d (mm)	6	7	8	9	10	11	12	13	14	15

E 型脉冲喷嘴

E Type Pulse Nozzle

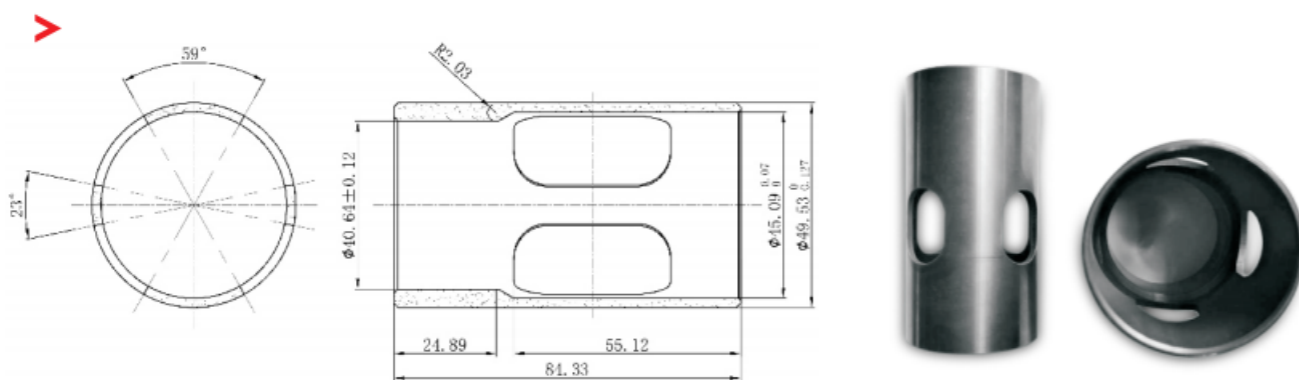


型号/Code	E8	E9	E10	E11	E12	E13	E14	E15
d (mm)	8	9	10	11	12	13	14	15
d1 (mm)	10	11	12	13	14	14.5	15.5	16
H (mm)	59	59	61	63	66	66	66	66

5 / 其它硬质合金产品 Cemented Carbide according to the customers requirement

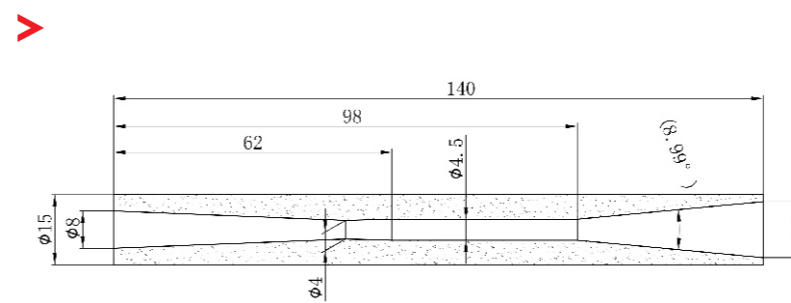
导流孔板

Flow Orifice



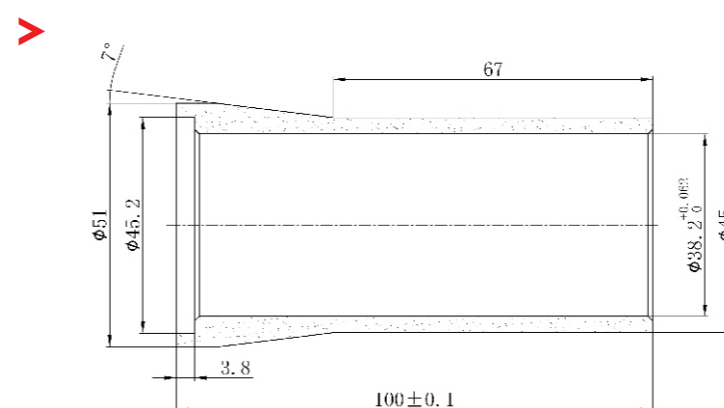
合金喷管

Carbide Nozzle



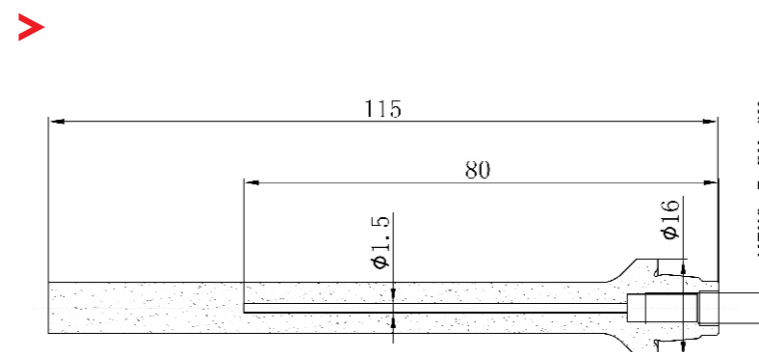
隔套

Spacer Sleeve



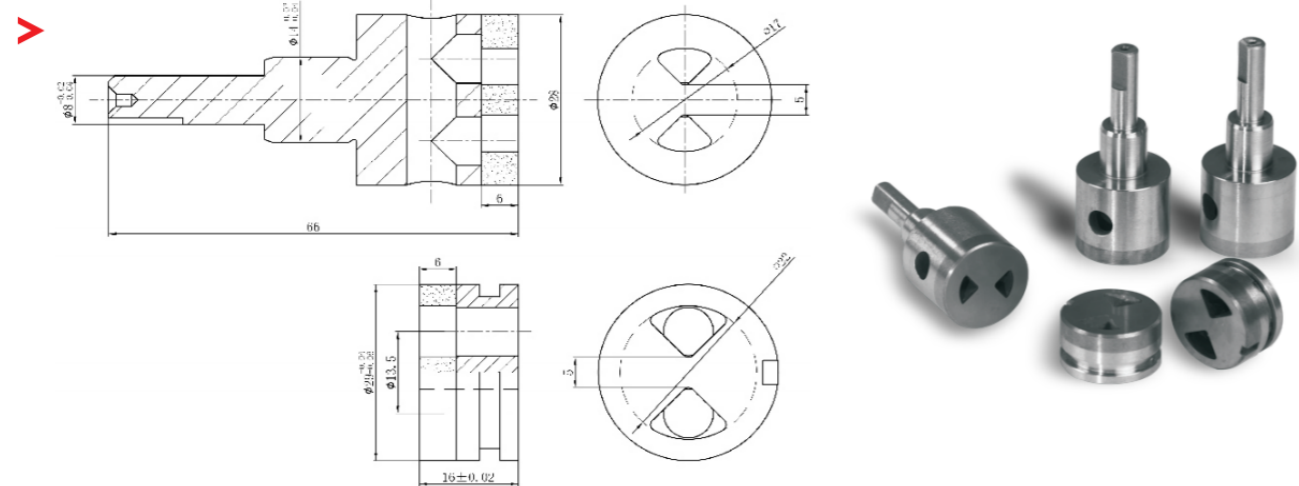
带深盲孔和内螺纹的加长合金刀杆

Extra Long Carbide Handle with deep blind hole and internal thread



节流阀板/柱

Valve Disk and Shaft



三斜孔喷嘴

Three Port Center Jet Nozzle

