

Efficient Quick Convenient

柔性定位夾具系統 > > >

**FLEXIBLE POSITIONING
CLAMPTURE SYSTEM**



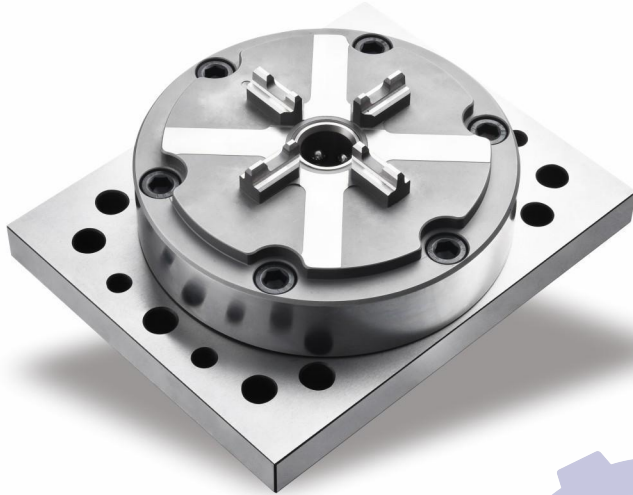
CATALOG 目錄

氣動卡盤系列 Pneumatic chuck series	01/05
手動卡盤系列 Manual chuck series	06/08
定位片系列 Positioning film series	09/10
不銹鋼夾頭系列 Stainless steel chuck series	11/13
黃銅夾頭系列 Brass collet series	14
分中檢測系列 Split detection series	15/16
周邊配件系列 Peripheral accessories series	17
專用夾具系列 Special fixture series	18
強力柔性夾具 Strong flexible fixture	19
3M夾具 3M fixture	20/24

氣動卡盤系列 Pneumatic chuck series

LX-1101

Product name: D150 Pneumatic Chuck

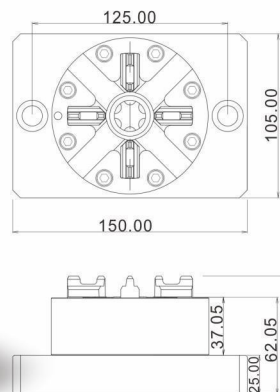


Specification parameter table	
Specifications	φ150×49.5mm
Main material	Stainless steel 56-60HRC
Usage pressure	6.5kg
Locking force	20KN
Quenching and tempering	Vacuum heat treatment+ultra deep cooling
Accessories	Anti chip aluminum plug Pneumatic switch
Packing	Environmentally friendly packaging
Application	Suitable for processing steel workpieces



LX-1203

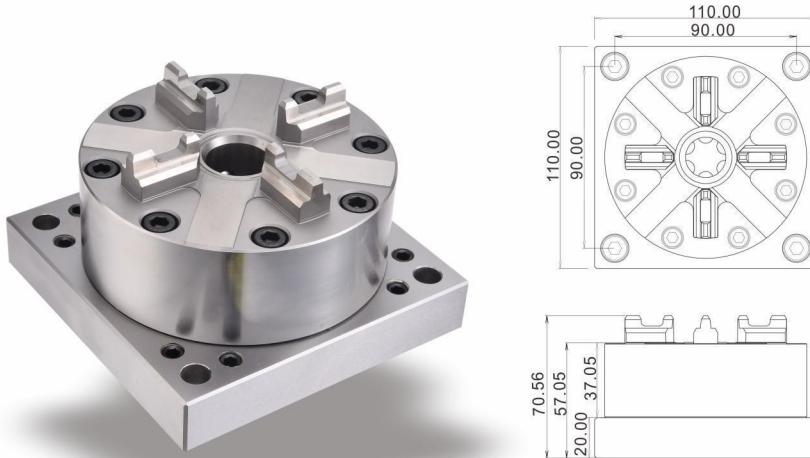
Product name: D100 single head pneumatic chuck



Specification parameter table	
Specifications	φ80×68mm
Main material	Stainless steel 56-60HRC
Usage pressure	6kg
Locking force	8KN
Quenching and tempering	Vacuum heat treatment+ultra deep cooling
Accessories	Pneumatic switch Pneumatic throat curling
Packing	Environmentally friendly packaging
Application	Applicable EDM machine tools

LX-1201

Product name: D100 Pneumatic Chuck

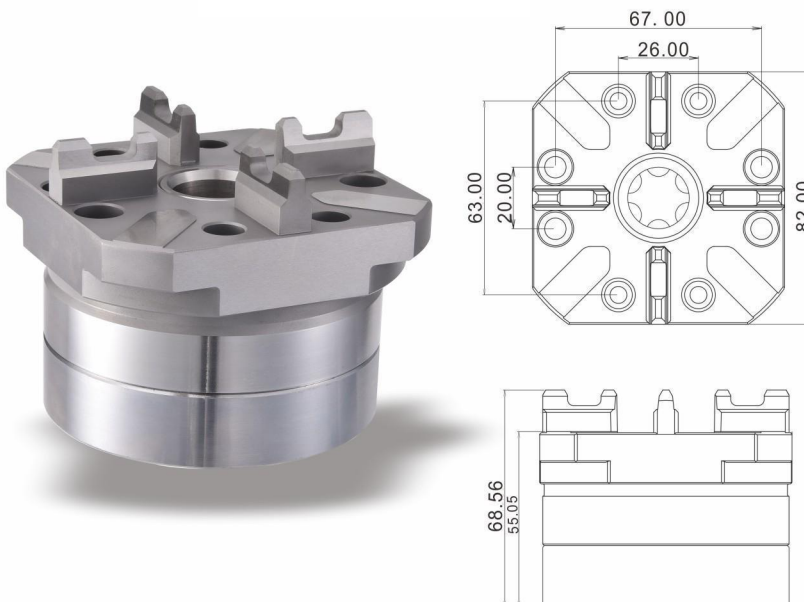


Specification parameter table	
Specifications	102×102×68.5mm
Main material	Stainless steel 56-60HRC
Usage pressure	6kg
Locking force	10KN
Quenching and tempering	Vacuum heat treatment+ultra deep cooling
Accessories	Anti chip rubber plug Pneumatic switch
Packing	Environmentally friendly packaging
Application	Face lock screw, suitable for various machining machines



LX-1202

Product name: EDM pneumatic chuck

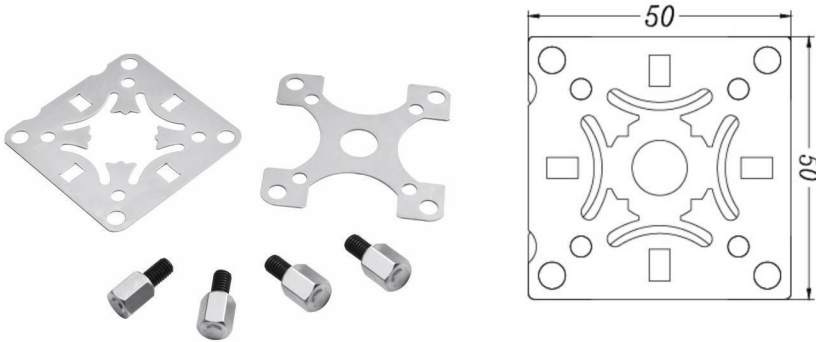


Specification parameter table	
Specifications	φ80×68mm
Main material	Stainless steel 56-60HRC
Usage pressure	6kg
Locking force	8KN
Quenching and tempering	Vacuum heat treatment+ultra deep cooling
Accessories	Pneumatic switch Pneumatic throat curling
Packing	Environmentally friendly packaging
Application	Applicable EDM machine tools

定位片系列 Positioning film series

LX-1401

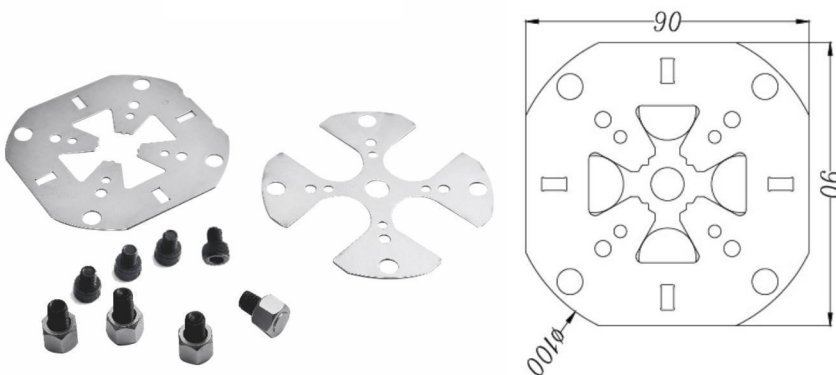
Product name: 50 positioning film



LX-1401	
Specification parameter table	
Specifications	50×50×1.5mm
Main material	Stainless steel
Hardness	38-42HRC
Accessories	M5 × 16 solid machine meters H8 hardened hexagonal nail

LX-1402

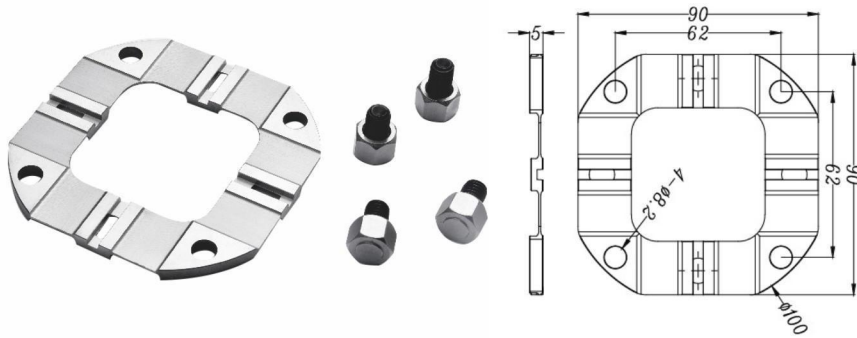
Product name: 90 positioning film



LX-1402	
Specification parameter table	
Specifications	90×90×1.2mm
Main material	Stainless steel
Hardness	40-44HRC
Accessories	M8 × 16 machine meters M5 × 8 screws H12 hardened hexagonal nail

LX-1403

Product name: Strong positioning film

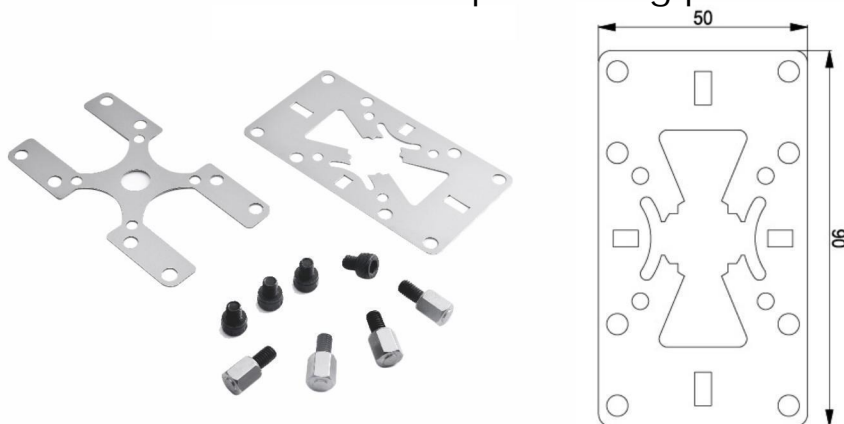


LX-1403	
Specification parameter table	
Specifications	90×90×5mm
Main material	Stainless steel
Hardness	48-52HRC
Accessories	M8 × 20 machine meters H12 hardened hexagonal nail



LX-1404

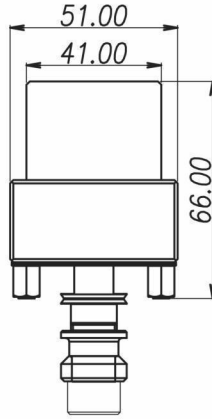
Product name: 50 * 90 positioning piece



LX-1404	
Specification parameter table	
Specifications	50×90×1.2mm
Main material	Stainless steel
Hardness	38-42HRC
Accessories	M5 × 16 solid machine meters M5 × 8 screws H18 Hardened Hexagonal Nail

分中檢測系列 Split detection series

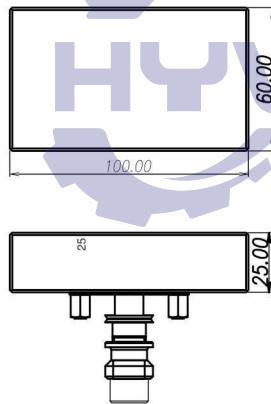
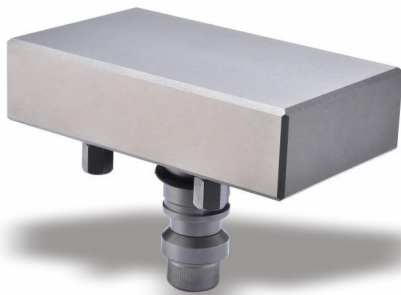
LX-1501



Specification parameter table	
Specifications	51×51×60mm
Main material	Stainless steel 48-52HRC
Factory requirements	Concentricity ± 0.002mm
Processing requirements	Full chamfering and grinding
Packing	Applicable for CNC and EDM calibration and alignment

Product name: 50 × 50 Zero Position Reference Base

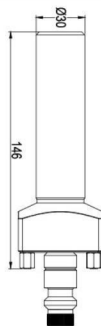
LX-1502



Specification parameter table	
Specifications	100×60×25mm
Main material	Stainless steel 48-52HRC
Factory requirements	Concentricity ± 0.002mm
Processing requirements	Luxury box packaging
Packing	Applicable for CNC and EDM calibration and alignment

Product name: 100 × 60 zero reference seat

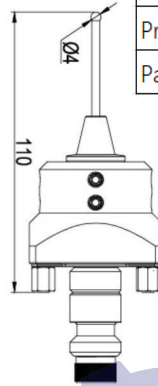
LX-1503



Specification parameter table	
Specifications	φ30×146mm
Main material	Stainless steel 48-52HRC
Factory requirements	Concentricity ± 0.002mm
Processing requirements	Luxury box packaging
Packing	Applicable for CNC and EDM calibration and alignment

Product name: 30 column zero position reference seat

LX-1504



Specification parameter table	
Specifications	φ30×146mm
Main material	Stainless steel 32-36HRC
Factory requirements	Concentricity ± 0.002mm
Processing requirements	Luxury box packaging
Packing	Applicable for EDM alignment

Product name: 4 tungsten steel ball center bar



LX-1505



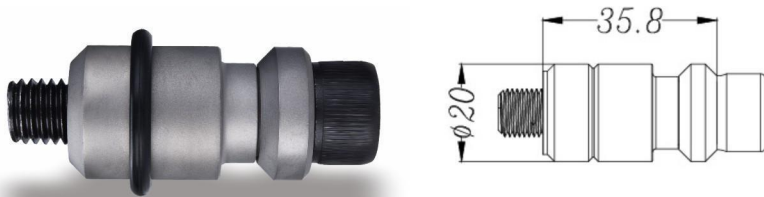
Specification parameter table	
Specifications	400×600mm
Application	Suitable for detecting electrode separation

Product Name: Pneumatic Testing Yunshi Platform

周邊配件系列 Peripheral accessories series

LX-1601

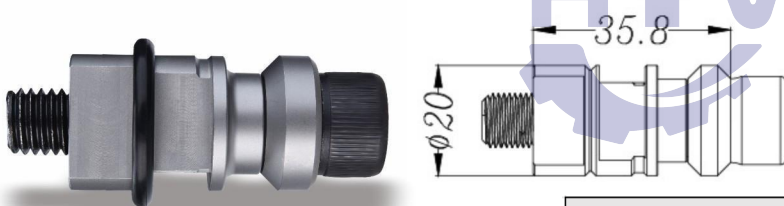
Product name: Standard pulling nail



Specification parameter table	
Material	Hard stainless steel 45-50HRC
Application	For clamping

LX-1602

Product name: Automatic pulling nail



Specification parameter table	
Material	Hard stainless steel 45-50HRC
Application	For clamping

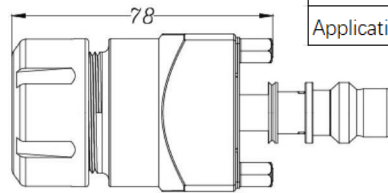
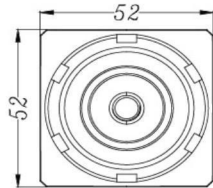
LX-1701



Specification parameter table	
Material	120×120×45mm
Application	Used to store electrode clamps

Product name: 1 out of 4 high body rubber rack

LX-1801



Specification parameter table	
Specifications	52×52×78mm
Main material	Stainless steel 48-52HRC
Tempering	Vacuum heat treatment+ultra deep cooling
Accessories included	φ 12 locking mouth × 1
Tolerance requirements	Concentricity after electrode clamping: Concentricity ± 0.015 (extended by 50mm)
Packing	Environmentally friendly packaging
Application	Suitable for EDM, lathe, and CNC machine tools

Product name: ER32 Lock Mouth Fixture

LX-1802

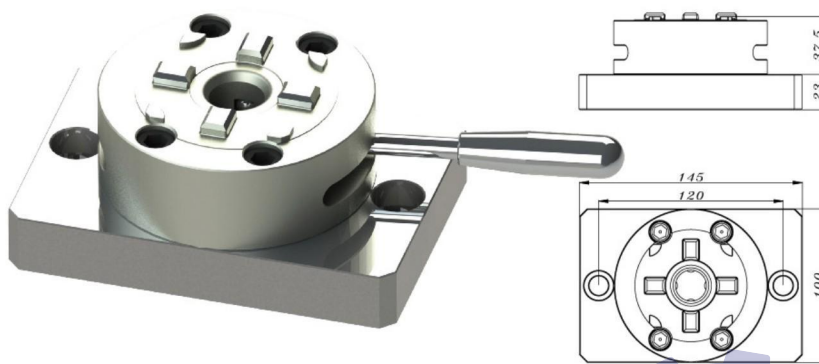


Specification parameter table	
Specifications	100×110mm
Weight	4.8kg
Packing	Environmentally friendly packaging
Application	Assemble 90 positioning pads with a lateral thrust of 20-30kg, Offset tolerance 0.05mm

Product name: EDM electrode correction head

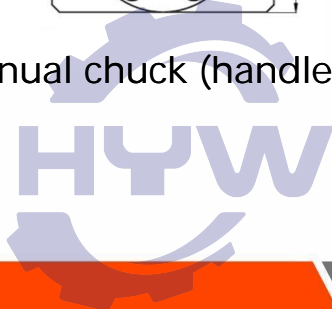
强力柔性夹具 Strong flexible fixture

LX-2201



Specification parameter table	
Specifications	145×100×60.5mm
Main material	Stainless steel 57-60HRC
Locking force	6KN
Tempering	Vacuum heat treatment+ultra deep cooling
Accessories included	Stainless steel handle
Packing	Environmentally friendly packaging
Application	Face lock screw, suitable for CNC machine tools

Product name: D100 CNC manual chuck (handle locked)



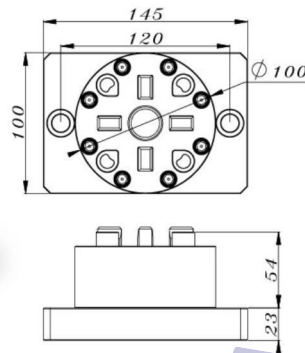
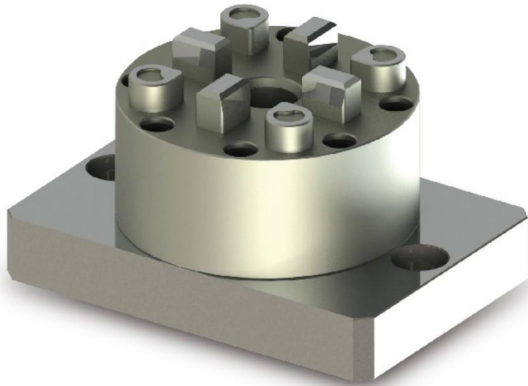
LX-2202



Specification parameter table	
Specifications	φ130×82.5mm
Main material	Stainless steel 56-60HRC
Locking force	6KN
Tempering	Vacuum heat treatment+ultra deep cooling
Accessories included	Stainless steel handle
Packing	Environmentally friendly packaging
Application	Face lock screw, suitable for CNC machine tools

Product name: D100 EDM manual chuck (handle locked)

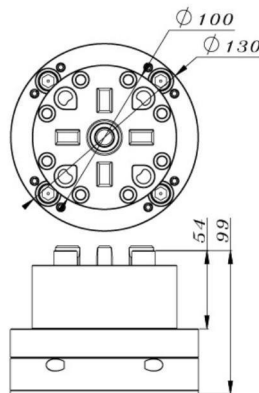
LX-2101



Product name: D100 CNC pneumatic chuck

Specification parameter table	
Specifications	145×100×77mm
Main material	Stainless steel 56-60HRC
Usage pressure	6kg
Locking force	10KN
Tempering	Vacuum heat treatment+ultra deep cooling
Accessories included	Switch
Packing	Environmentally friendly packaging
Application	Face lock screw, suitable for CNC machine tools

LX-2102



Product name: D100 EDM pneumatic chuck

Specification parameter table	
Specifications	φ130×99mm
Main material	Stainless steel 56-60HRC
Usage pressure	6kg
Locking force	10KN
Tempering	Vacuum heat treatment+ultra deep cooling
Accessories included	Switch
Packing	Environmentally friendly packaging
Application	Face lock screw, suitable for CNC machine tools

3M fixture
3M夾具

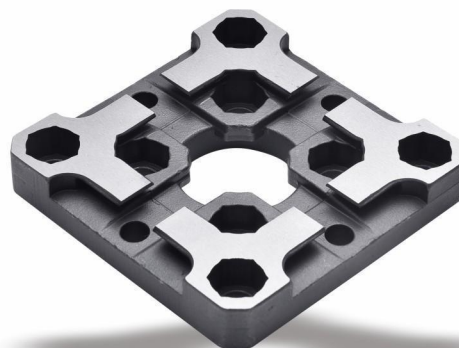
LX-2301



Product name:
50 × 50 positioning piece

Specification parameter table	
Material	Stainless steel 48-52HRC
Application	For connection

LX-2302

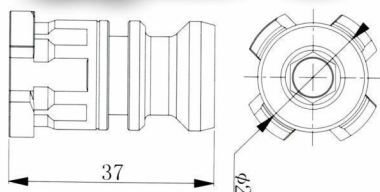


Product name:
70 × 70 positioning piece

Specification parameter table	
Specifications	70×70×12.5mm
Main material	Stainless steel 40-44HRC

LX-2401

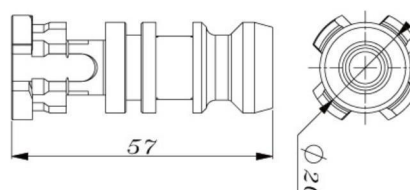
Product name: Manual pull rod



Specification parameter table	
Material	Stainless steel 48-52HRC
Application	For connection

LX-2402

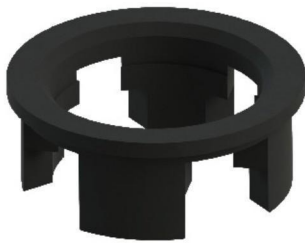
Product name: Pneumatic pull rod



Specification parameter table	
Material	Stainless steel 48-52HRC
Application	For connection

LX-2303

Product name:
Tie rod fixing rubber holder



LX-2304

Product name:
Manual detection marble table

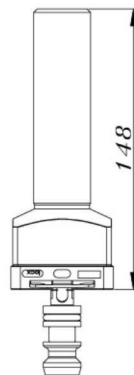
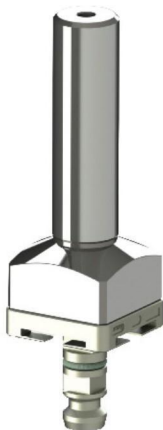


Specification parameter table	
Material	ABS
Application	For connection and fixation

Specification parameter table	
Specifications	400×600mm
Application	Detection electrode separation

LX-2501

Product name: Medium 30 pillar zero position reference seat



Specification parameter table	
Specifications	54×54×148mm
Main material	Stainless steel 48-52HRC
Factory requirements	Concentricity ± 0.005mm
Packing	Luxury box packaging (standard with pneumatic pull rod)
Application	CNC, EDM calibration and alignment use

3M fixture

3M夾具

不銹鋼夾頭系列 Stainless steel chuck series



Material: S13H stainless steel
30-36HRC

Processing requirements: all chamfers
and leveling

Foam or sponge packaging

Model	Product name	Specifications	allocation
LX-3U15-ST	U15 groove type stainless steel chuck	54×54×42.3	54×54positioning piece
LX-3U20-ST	U20 groove type stainless steel chuck	54×54×42.3	54×54positioning piece
LX-3U25-ST	U25 groove type stainless steel chuck	54×54×42.3	54×54positioning piece
LX-3U30-ST	U30 groove type stainless steel chuck	54×54×42.3	54×54positioning piece
LX-3S15-ST	S15 square stainless steel chuck	54×54×42.3	54×54positioning piece
LX-3S20-ST	S20 square stainless steel chuck	54×54×42.3	54×54positioning piece
LX-3S25-ST	S25 square stainless steel chuck	54×54×42.3	54×54positioning piece
LX-3S30-ST	S30 square stainless steel chuck	54×54×42.3	54×54positioning piece

黃銅夾頭系列 Brass collet series



Material: National standard brass
100-110HB

Processing requirements: all chamfers
and leveling

Foam or sponge packaging

Model	Product name	Specifications	allocation
LX-3U15-CU	U15 groove type brass clamp	54×54×42.3	54×54positioning piece
LX-3U20-CU	U20 groove type brass clamp	54×54×42.3	54×54positioning piece
LX-3U25-CU	U25 groove type brass clamp	54×54×42.3	54×54positioning piece
LX-3U30-CU	U30 groove type brass clamp	54×54×42.3	54×54positioning piece
LX-3S15-CU	S15 square brass chuck	54×54×42.3	54×54positioning piece
LX-3S20-CU	S20 square brass chuck	54×54×42.3	54×54positioning piece
LX-3S25-CU	S25 square brass chuck	54×54×42.3	54×54positioning piece
LX-3S30-CU	S30 square brass chuck	54×54×42.3	54×54positioning piece