
产品篇

Products Chapter

储线轮系列 13-35 Aluminum Combination Pulley Series

导轮系列 36-85 Aluminum Guide Pulley Series

光纤轮系列 86-97 Fiber Optic Pulley Series

滚筒和轴系列 98 Drum and Shaft Series

铝合金 储线轮 系列

Aluminum Combination Pulley Series
FOR WIRE&CABLE

电线电缆

用途

储线轮主要应用于挤出机生产线，成圈机。本公司储线轮为机加工工艺生产，精度高，平行度好，表面光洁度领先于同行，加上不同的表面处理，最终得到一件件精美的产品。

特点

- 1、产品强度高，外观精美，价格实惠。
- 2、整个表面用数控精细加工，沟槽光滑不伤线，轴承公差控制精准，防止跳线断线。
- 3、每款备有安全库存，发货速度快，交期短。
- 4、规格齐全 $\phi 100$ - $\phi 400$ mm多种可选，最大可做800-1000mm,沟槽有V、U型、平槽可选，
- 5、表面处理有硬质阳极氧化，喷瓷及喷涂硬面材料；推荐喷涂硬面材料，主要包括碳化钨基喷涂粉和碳化铬基喷涂粉，具有高硬度、良好的耐磨性、耐黏着磨损、耐腐蚀性和高的结合强度等特点。

Purpose

The storage wheel is mainly used in extrusion production lines and forming machines. Our company's wire storage wheels are produced using machining technology, with high precision, good parallelism, and surface smoothness leading the industry. With different surface treatments, we ultimately obtain exquisite products one by one

Features

1. The product with high strength, attractive appearance, affordable price.
2. The entire surface with CNC precision machining, the groove is smooth, not hurt the line, the size of bearing position control precisely, avoid line jump and broken.
3. Each equipped with safety stock, fast delivery.
4. Complete specifications $\phi 100$ - $\phi 500$ mm variety of optional, the type of grooves have V, U, flat available,
5. Surface treatment includes hard anodizing, porcelain spraying, and spraying hard surface materials. Recommend spraying hard surface materials, which mainly include tungsten carbide based spray powder and chromium carbide based spray powder, with high hardness, Good wear resistance, adhesive wear resistance, corrosion resistance, and high bonding strength.

表面处理 Surface Treatment



喷瓷

Spray porcelain



喷涂硬面材料

Spray hard surface material



硬阳

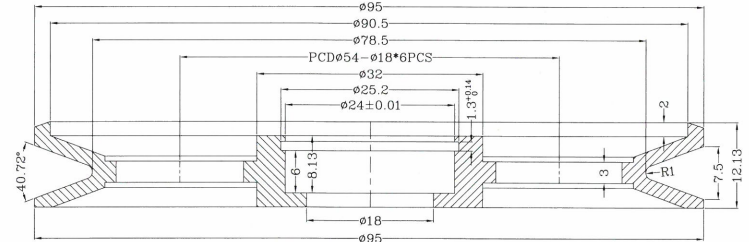
Hard anodizing

Φ95-A/B储线轮-圆槽

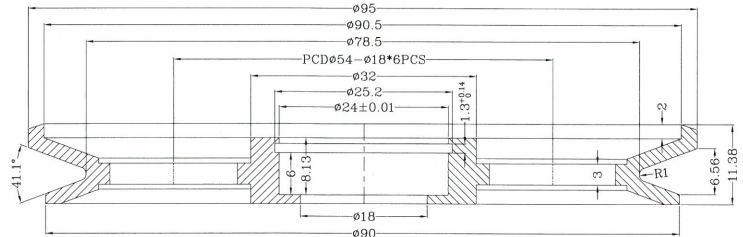
Φ95-A/B COMBINATION PULLEY



Φ95-Ax12.13



Φ95-Bx11.38



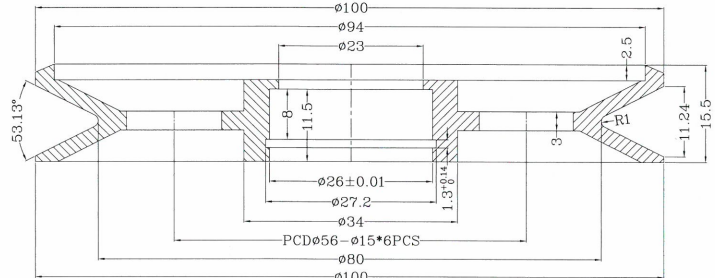
产品名称	编号	规格型号	实配轴承
Part name	Number	Model	Bearing
Φ95-Ax12.13	A06-10006	Φ95x12.13	6901ZZ
Φ95-Bx11.38	A06-10001	Φ95x11.38	6901ZZ

Φ100-A/B/C储线轮-圆槽

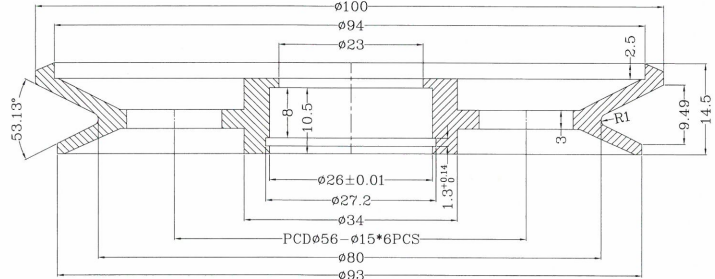
Φ100-A/B/C COMBINATION PULLEY



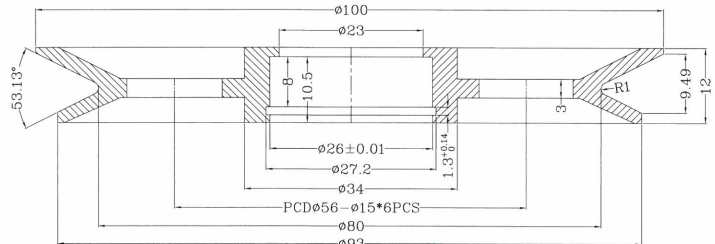
Φ100-Ax15.5



Φ100-Bx14.5



Φ100-Cx12



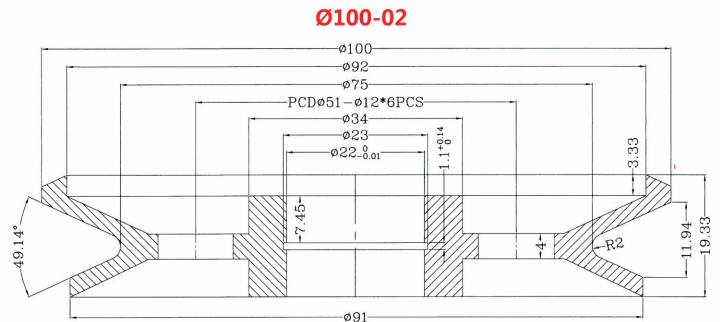
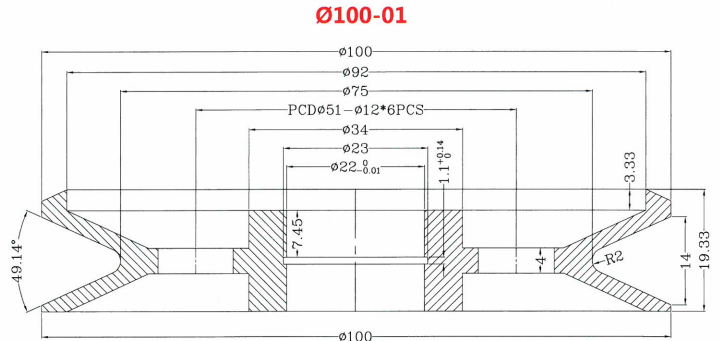
产品名称	编号	规格型号	实配轴承
Part name	Number	Model	Bearing
Φ100-Ax15.5	A06-10017	Φ100x15.5	6000ZZ
Φ100-Bx14.5	A06-10014	Φ100x14.5	6000ZZ
Φ100-Cx12	A06-10011	Φ100x12	6000ZZ

Φ100-01/02 储线轮-圆槽

Φ100-01/02 COMBINATION PULLEY



产品名称	编号	规格型号	实配轴承
Part name	Number	Model	Bearing
Φ100-01	A06-10031	Φ100x19.33	2-6900ZZ
Φ100-02	A06-10032	Φ100x19.33	2-6900ZZ

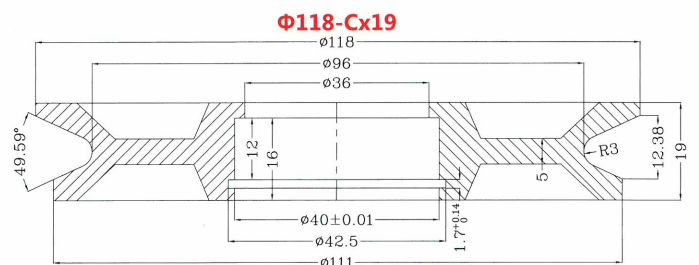
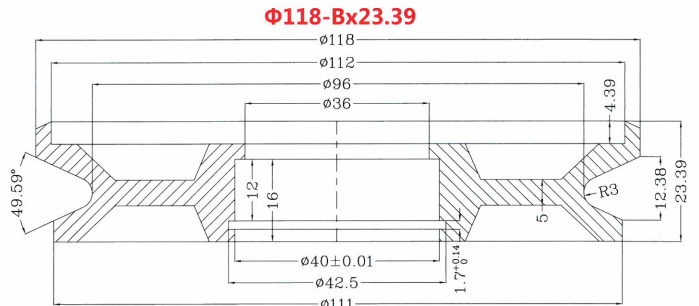
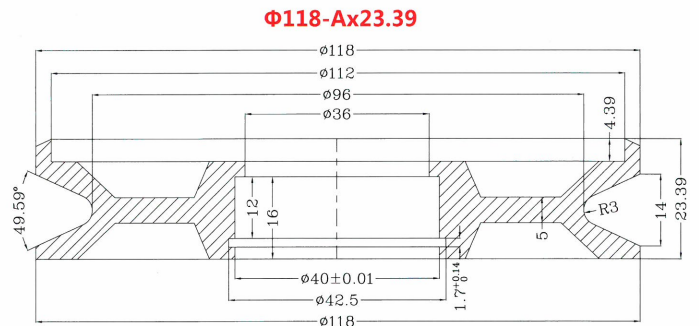


Φ118-A/B/C 储线轮

Φ118-A/B/C COMBINATION PULLEY



产品名称	编号	规格型号	实配轴承
Part name	Number	Model	Bearing
Φ118-Ax23.39	A06-60183	Φ118x23.39	6203ZZ
Φ118-Bx23.39	A06-60193	Φ118x23.39	6203ZZ
Φ118-Cx19	A06-60182	Φ118x19	6203ZZ



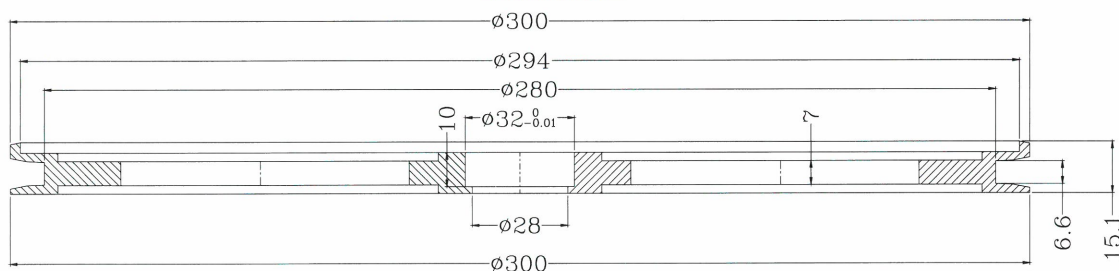
Φ300-A/B/C储线轮-平槽

Φ300-A/B/C COMBINATION PULLEY

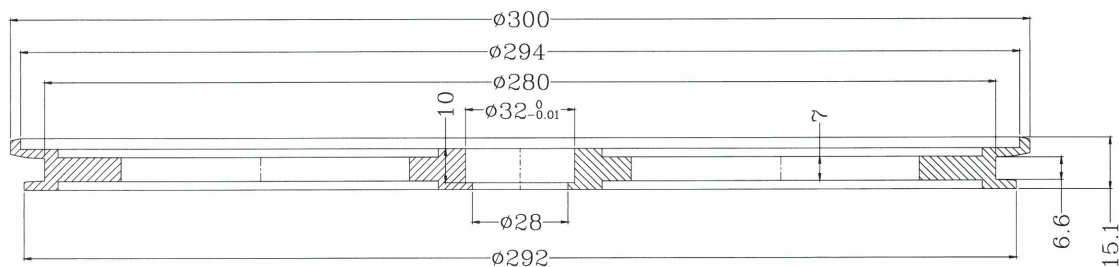


产品名称	编号	规格型号	实配轴承
Part name	Number	Model	Bearing
Φ300-Ax15.1	A06-10330	Φ300x15.1	6201ZZ
Φ300-Bx15.1	A06-10331	Φ300x15.1	6201ZZ
Φ300-Cx12	A06-10329	Φ300x12	6201ZZ

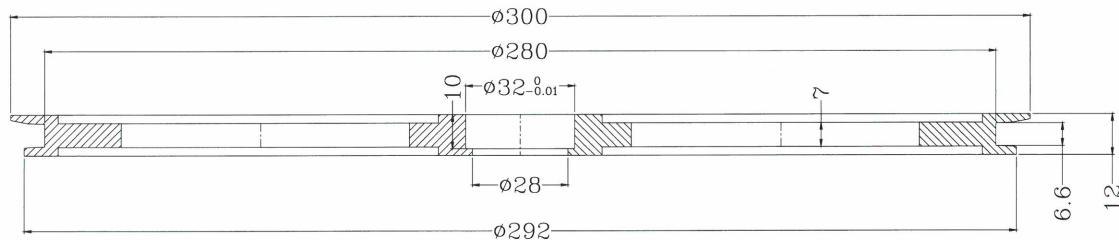
Ø300-Ax15.1



Ø300-Bx15.1

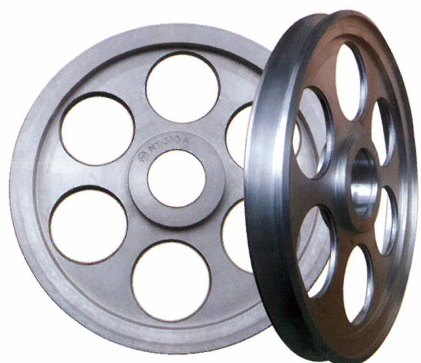


Ø300-Cx12



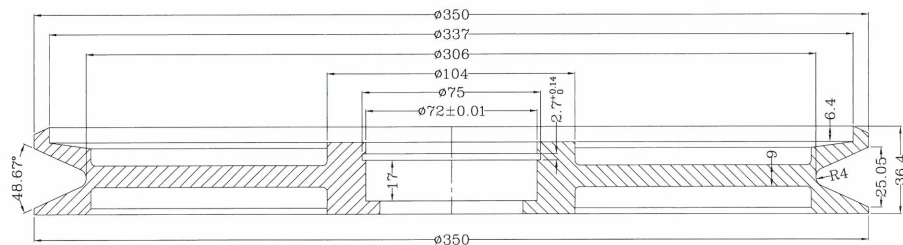
Φ350-A/B(R4)储线轮-V槽

Φ350-A/B (R4) COMBINATION PULLEY

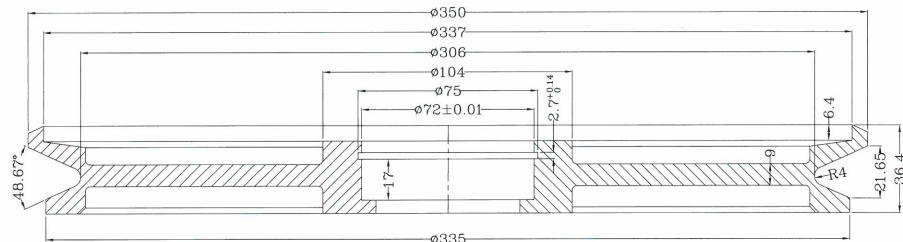


产品名称	编号	规格型号	实配轴承
Part name	Number	Model	Bearing
Φ350-Ax36.4	A06-10519	Φ350x36.4	6207ZZ
Φ350-Bx36.4	A06-10521	Φ350x36.4	6207ZZ
Φ350-Ax36.4	A06-10524	Φ350x36.4	2-6007ZZ
Φ350-Bx36.4	A06-10522	Φ350x36.4	2-6007ZZ

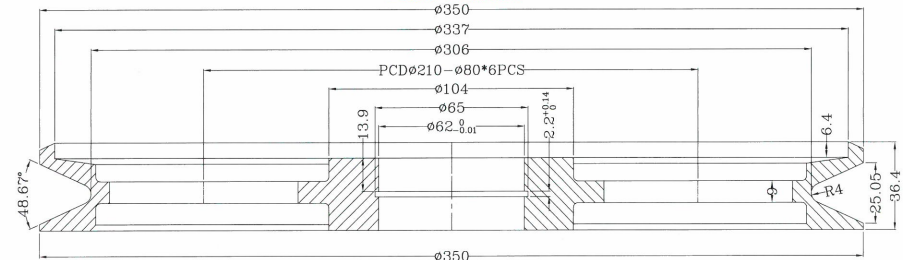
Ø350-Ax36.4



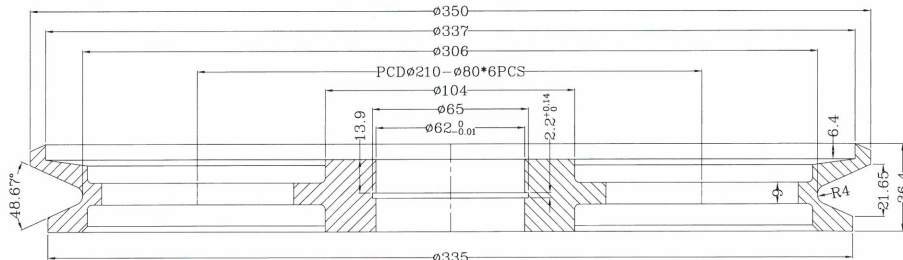
Ø350-Bx36.4



Ø350-Ax36.4



Ø350-Bx36.4



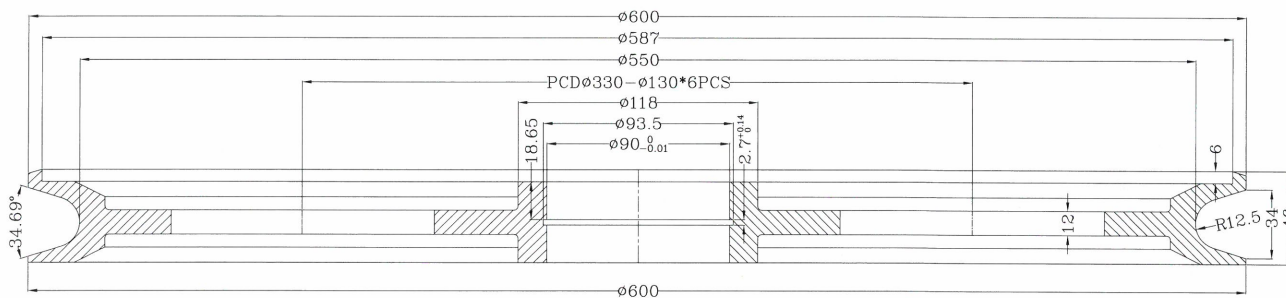
Φ600-A/B储线轮

Φ600-A/B COMBINATION PULLEY

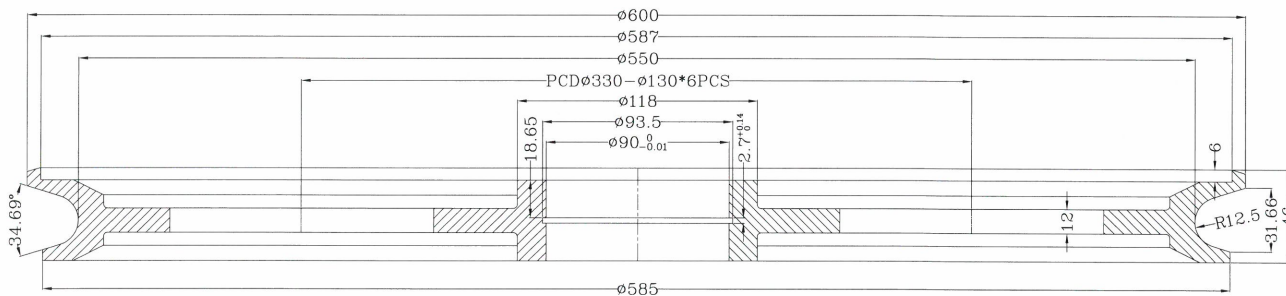


产品名称	编号	规格型号	实配轴承
Part name	Number	Model	Bearing
Φ600-Ax46	A08-10523	Φ600x46	2-6210ZZ
Φ600-Bx46	A08-10524	Φ600x46	2-6210ZZ

Φ600-Ax46



Φ600-Bx46



铝合金导轮系列 Aluminum Guide Pulley Series FOR WIRE&CABLE 电线电缆

用途

导轮主要应用于拉丝机、绞线机、退火机、成缆机。本公司生产的导轮为机加工工艺，产品表面光滑，精度高，平行度及强度好；同时表面喷涂硬面材料，极大的提升了产品的寿命，获得客户好评。

特点

- 1、外观精美，价格实惠；
- 2、规格齐全， $\phi 45-\phi 420\text{mm}$ 多样可选，沟槽有V型U型，槽数有单、双、三、四槽或定制，
- 3、表面处理有硬质阳极氧化，喷瓷及喷涂硬面材料。推荐喷涂硬面材料，硬面材料主要包括碳化钨基喷涂粉和碳化铬基喷涂粉，具有高硬度、良好的耐磨性、耐黏着磨损、耐腐蚀性和高的结合强度等特点。

Purpose

The guide wheel is mainly used in wire drawing machines, twisting machines, annealing machines, and cable forming machines. The guide wheels produced by our company are machined, with smooth surfaces, high precision, good parallelism, and strength; At the same time, the surface is sprayed with hard materials, greatly improving the product's lifespan and receiving high praise from customers.

Features

1. The appearance of fine, affordable price
2. Complete specifications $\phi 45-\phi 420\text{mm}$ various optional, U-shaped grooves V-shaped groove are available, the number of groove have single, double, triple, four-slot or custom,
3. Surface treatment includes hard anodizing, porcelain spraying, and spraying hard surface materials. Recommend spraying hard surface materials, which mainly include tungsten carbide based spray powder and chromium carbide based spray powder, with high hardness Good wear resistance, adhesive wear resistance, corrosion resistance, and high bonding strength.

槽型效果 Surface Slots



平槽
Flat groove



V型槽
V-groove

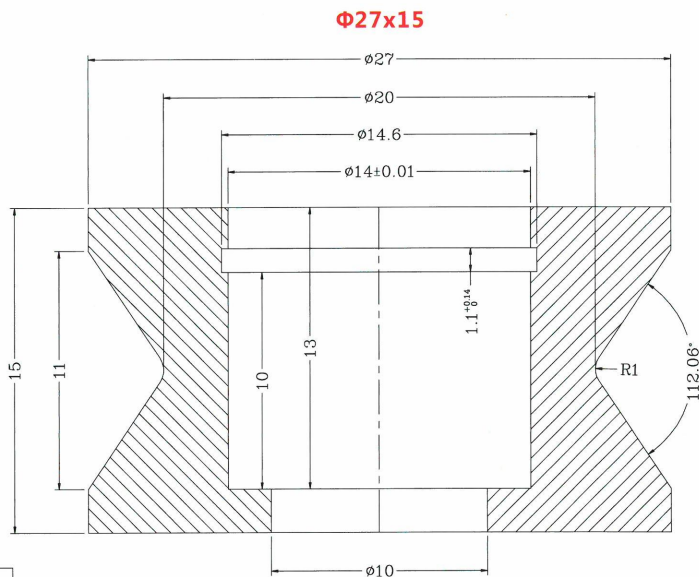


U型槽
U-groove

Can be tailored to the customer a variety of other specifications of guide pulley, to provide the latest product technical support

Φ27x15导轮

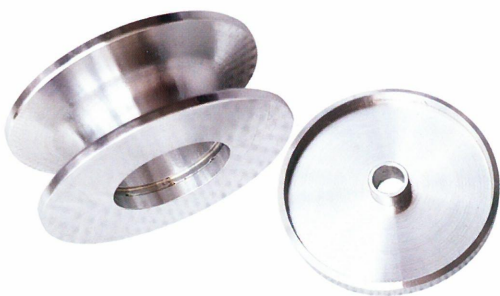
Φ27x15 GUIDE PULLEY



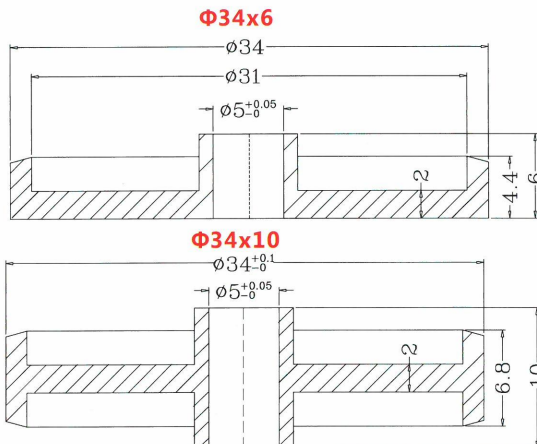
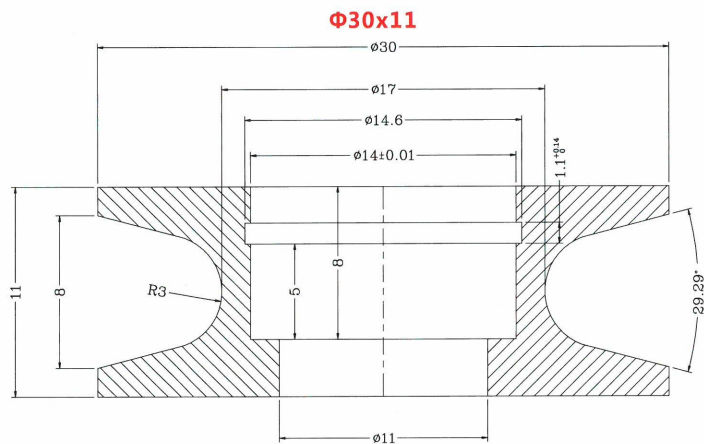
产品名称	编号	规格型号	实配轴承
Part name	Number	Model	Bearing
Φ27x15	A07-20045	Φ27x15	2-605ZZ

Φ30x11导轮

Φ30x11 GUIDE PULLEY



产品名称	编号	规格型号	实配轴承
Part name	Number	Model	Bearing
Φ30x11	A07-20080	Φ30x11	605ZZ
Φ34x10	A07-20113	Φ34x10	轴孔 Φ5
Φ34x6	A07-20110	Φ34x6	轴孔 Φ5

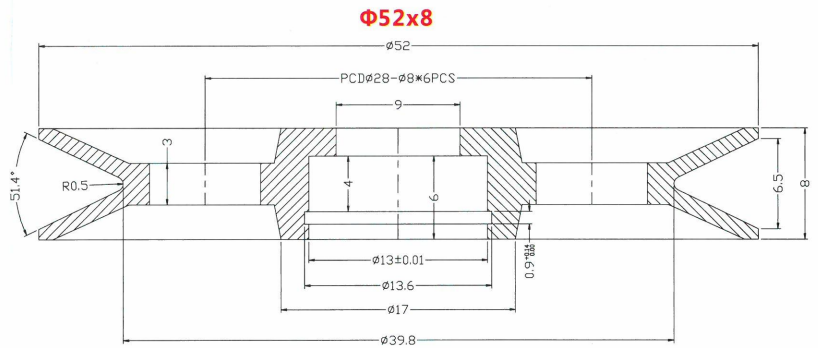


Φ52x8导轮

Φ52x8 GUIDE PULLEY



产品名称	编号	规格型号	实配轴承
Part name	Number	Model	Bearing
Φ52x8	A06-60029	Φ52x8	695ZZ

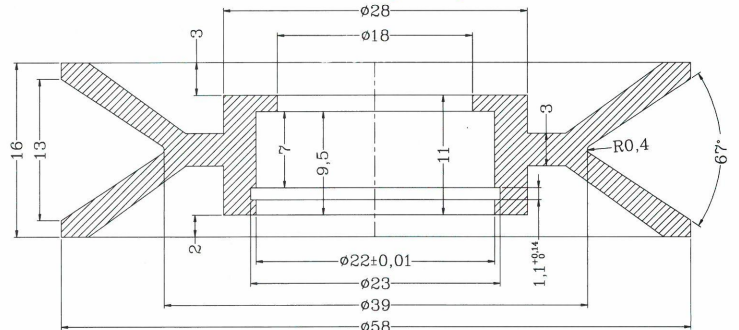


Φ58x16导轮

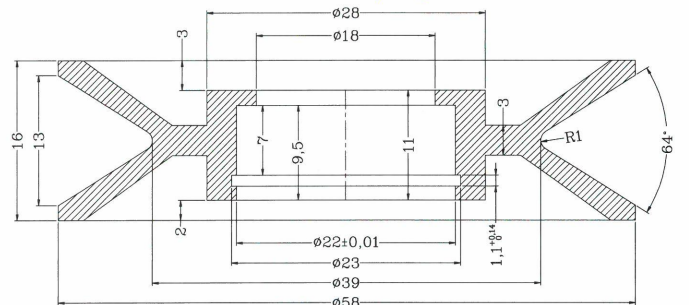
Φ58x16 GUIDE PULLEY



Φ58x16 (R0.4)



Φ58x16 (R1)



产品名称	编号	规格型号	实配轴承
Part name	Number	Model	Bearing
Φ58x16	A06-20044	Φ58x16	608ZZ
Φ58x16	A06-20045	Φ58x16	608ZZ

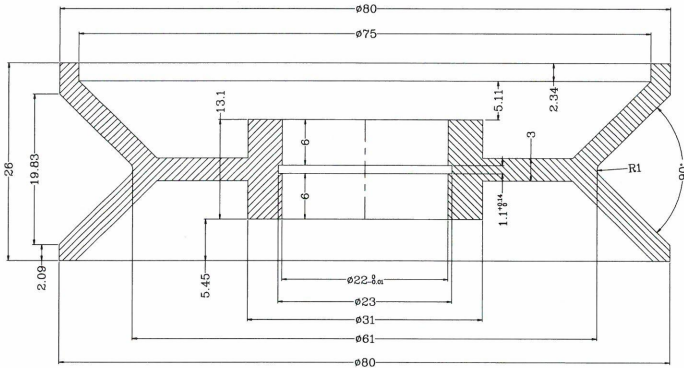
Φ80x26系列组合导轮

Φ80x26 GUIDE PULLEY

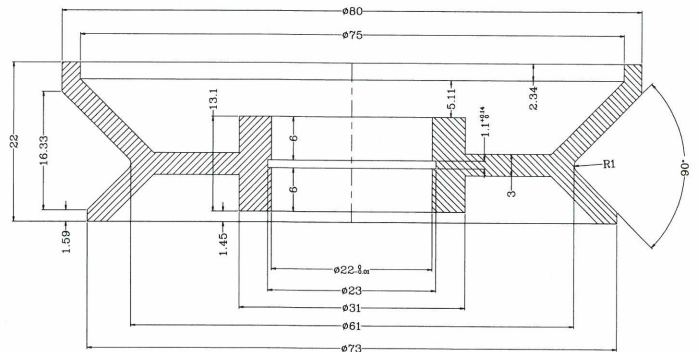


产品名称	编号	规格型号	实配轴承
Part name	Number	Model	Bearing
Φ80x26	A06-20140	Φ80x26	2-6900ZZ
Φ80x24	A06-20131	Φ80x24	2-6900ZZ
Φ80x22	A06-20130	Φ80x22	2-6900ZZ
Φ80x20	A06-20129	Φ80x20	2-6900ZZ

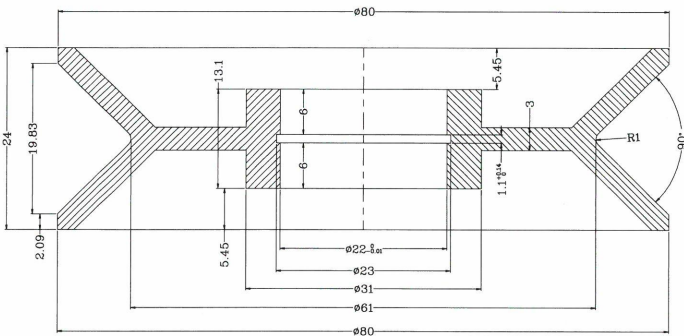
Φ80x26



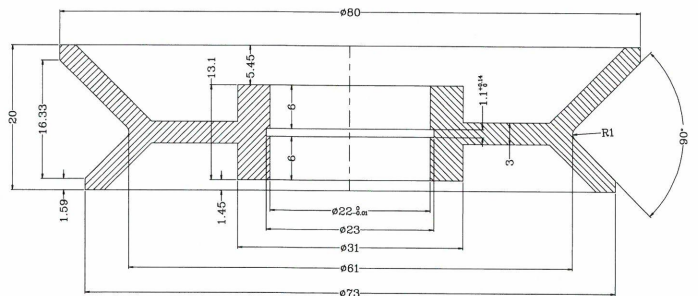
Φ80x22



Φ80x24



Φ80x20

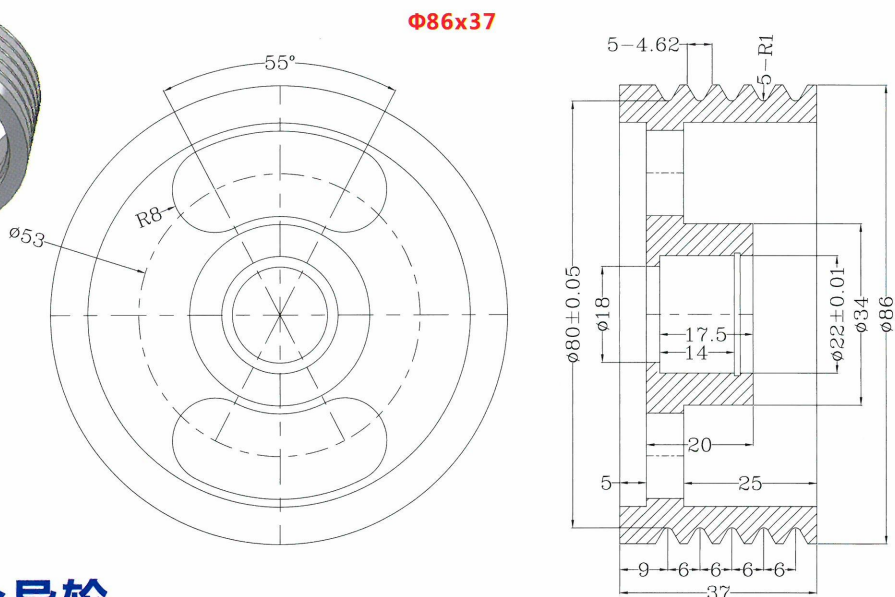


Φ86x37(R1)五槽分线导轮

Φ86x37(R1) FIVE-GROOVE GUIDE PULLEY



产品名称	编号	规格型号	实配轴承
Part name	Number	Model	Bearing
Φ86x37分线导轮 (R1)	A06-60301	Φ86x37	2-608ZZ

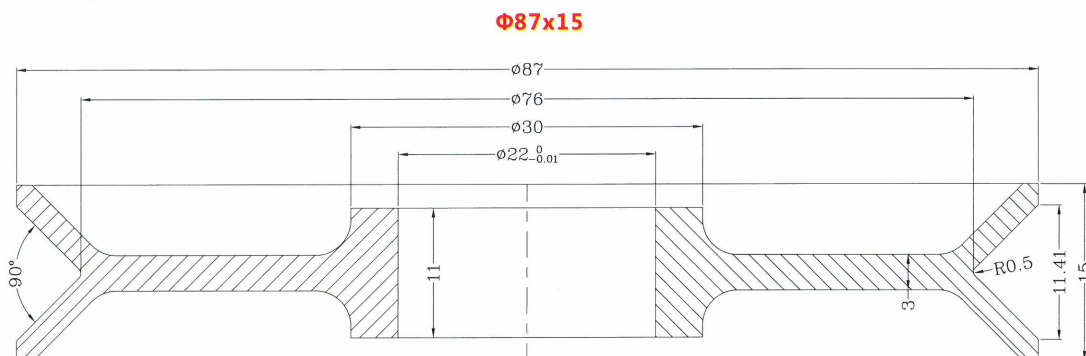


Φ87x15排线组合导轮

Φ87x15 GUIDE PULLEY



产品名称	编号	规格型号	实配轴承
Part name	Number	Model	Bearing
Φ87x15	A06-20159	Φ87x15	2-F608ZZ



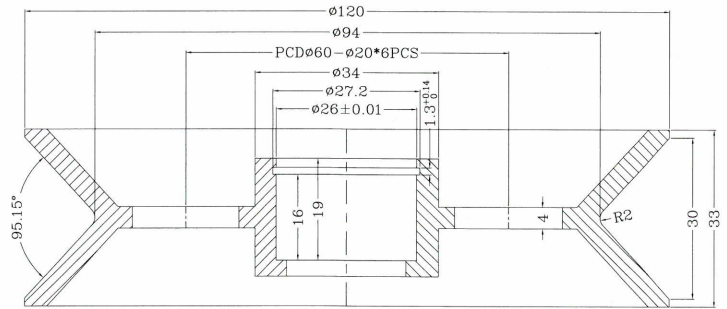
Φ120-06/07导轮

Φ120-06/07 GUIDE PULLEY

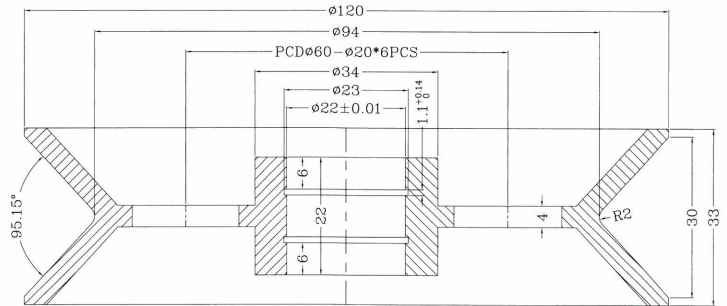


产品名称	编号	规格型号	实配轴承
Part name	Number	Model	Bearing
Φ120-06	A07-21408	Φ120x33	2-6000ZZ
Φ120-07	A06-20276	Φ120x33	2-6900ZZ

Φ120-06



Φ120-07



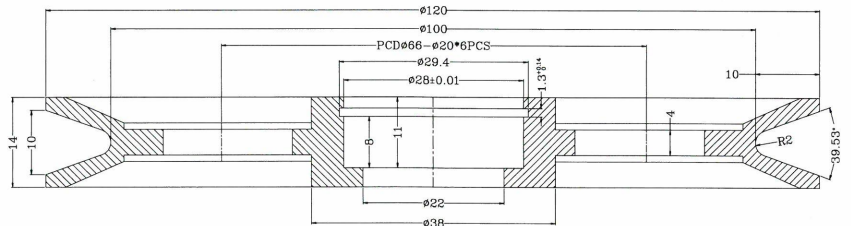
Φ120x14导轮

Φ120x14 GUIDE PULLEY



产品名称	编号	规格型号	实配轴承
Part name	Number	Model	Bearing
Φ120x14	A06-20251	Φ120x14	6000/6001ZZ

Φ120x14



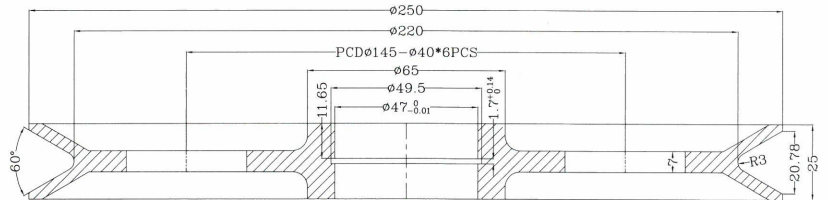
Φ 250x25导轮

Φ250x25 GUIDE PULLEY



产品名称	编号	规格型号	实配轴承
Part name	Number	Model	Bearing
Φ250x25	A06-20373	Φ250x25	2-6005ZZ

Φ250x25



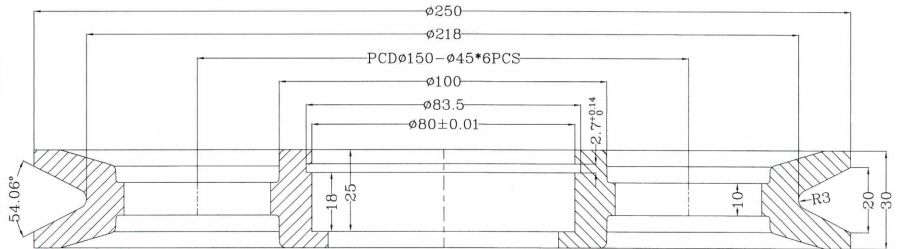
Φ 250x30导轮

Φ250x30 GUIDE PULLEY

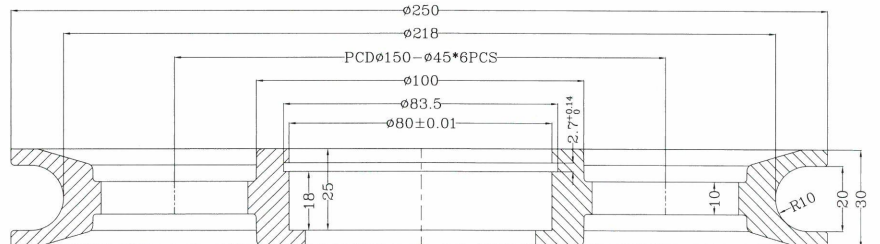


产品名称	编号	规格型号	实配轴承
Part name	Number	Model	Bearing
Φ250x30-01	A06-20385	Φ250x30(R3)	6208ZZ
Φ250x30-02	A06-20386	Φ250x30(R10)	6208ZZ

Φ250x30-01



Φ250x30-02



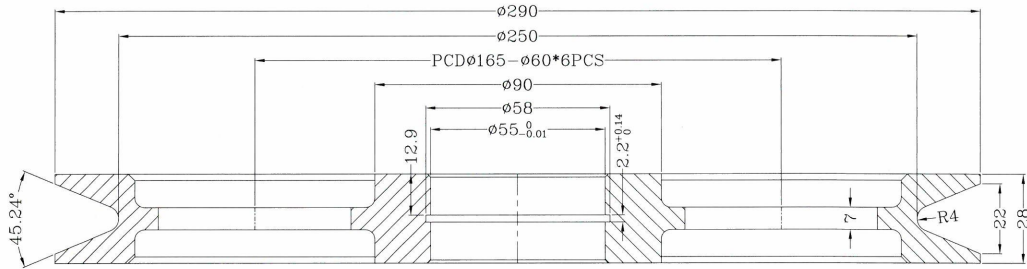
Φ 290x28/44导轮

Φ290x28/44 GUIDE PULLEY

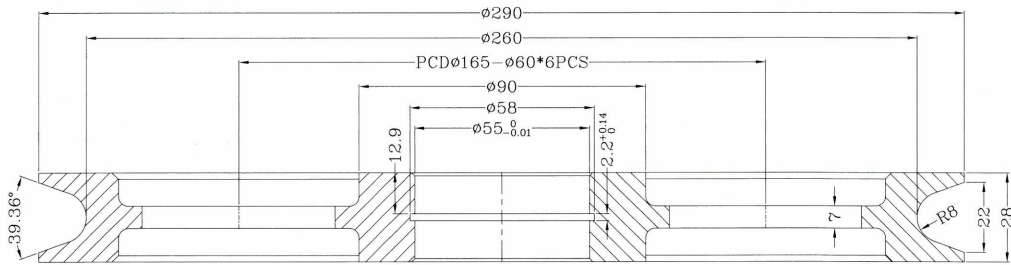


产品名称	编号	规格型号	实配轴承
Part name	Number	Model	Bearing
Φ290x28	A06-20401	Φ290x28(R4)	2-6006ZZ
Φ290x28	A07-23718	Φ290x28(R8)	2-6006ZZ
Φ290x44	A06-20406	Φ290x44	2-6008ZZ

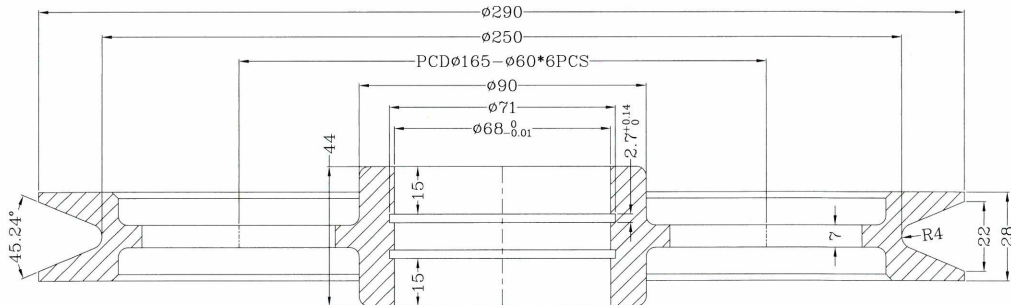
Φ290x28(R4)



Φ290x28(R8)



Φ290x44(R4)



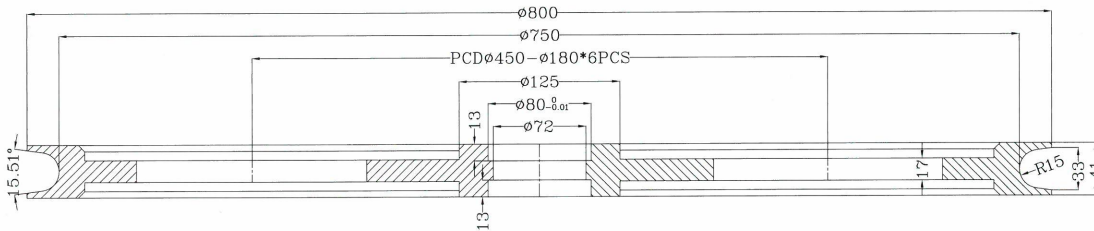
Φ800x41导轮-圆槽

Φ800x41 GUIDE PULLEY



产品名称	编号	规格型号	实配轴承
Part name	Number	Model	Bearing
Φ800x41	A08-20254	Φ800x41	2-6911ZZ

Φ800x41



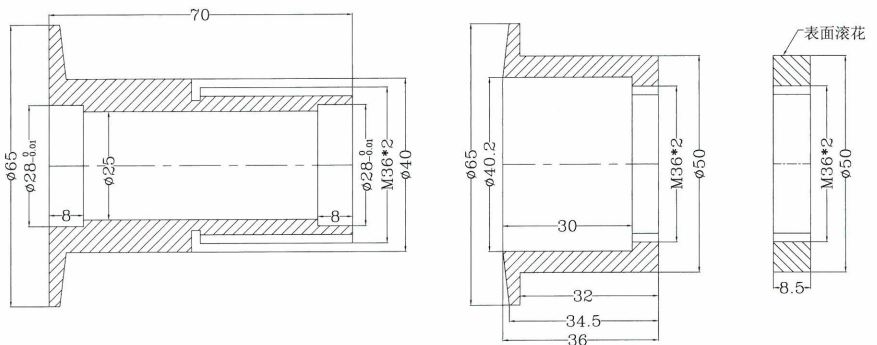
Φ65x70可调导轮

Φ65x70 ADJUSTABLE GUIDE PULLEY



产品名称	编号	规格型号	实配轴承	调节宽度
Part name	Number	Model	Bearing	Scope
Φ65x70	A07-20543	Φ65x70	2-6001ZZ	0-20

Φ65x70



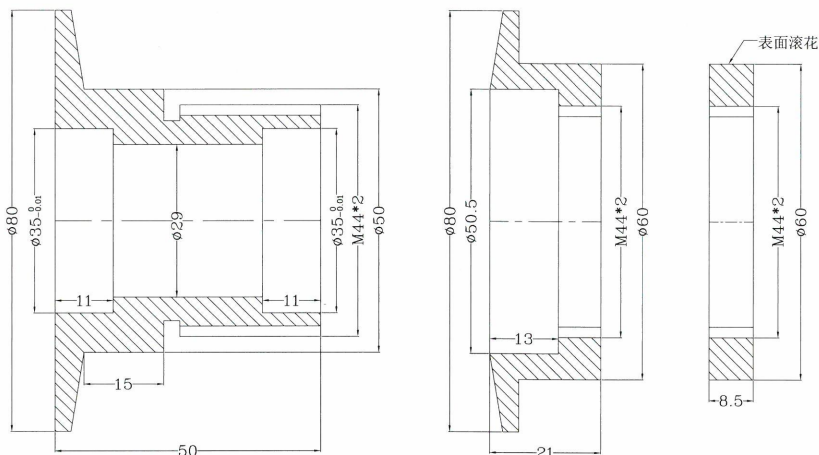
Φ80x50可调导轮

Φ80x50 ADJUSTABLE GUIDE PULLEY



产品名称	编号	规格型号	实配轴承	调节宽度
Part name	Number	Model	Bearing	Scope
Φ80x50	A07-20834	Φ80x50	2-6202ZZ	2-15

Φ80x50



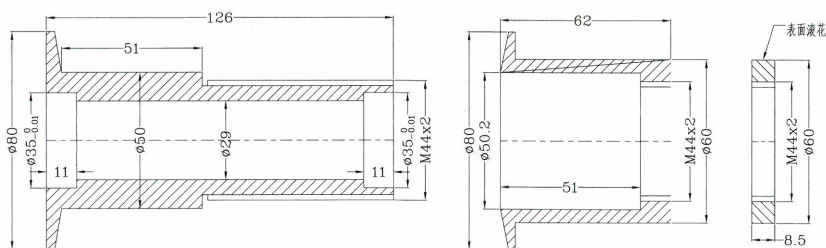
Φ80x126可调导轮

Φ80x126 ADJUSTABLE GUIDE PULLEY



产品名称	编号	规格型号	实配轴承	调节宽度
Part name	Number	Model	Bearing	Scope
Φ80x126	A06-20592	Φ80x126	2-6202ZZ	0-50

Φ80x126



铝合金 光纤轮 系列

Fiber Optic Pulley Series FOR WIRE&CABLE

电线电缆

用途

光纤轮其主要应用于光纤二次护套生产线、紧包光纤生产线、光纤着色复绕机、光纤张力筛选复绕机、光纤陀螺复绕机及其他光纤光缆生产设备。其工作转速从每分钟几百到一万转不等，所以对光纤轮的要求各不相同，转速高的要求轮子一定要轻、薄、同心度好、耐磨度高，本公司经过长期的测试和实验已经能生产转速达**1万转的光纤轮**，**产品质量能够满足客户的苛刻的要求。**

本公司现提供60-170mm的光纤轮，产品范围已基本覆盖所有设备要求，如有需要我们将提供样品供贵司测试。

Purpose

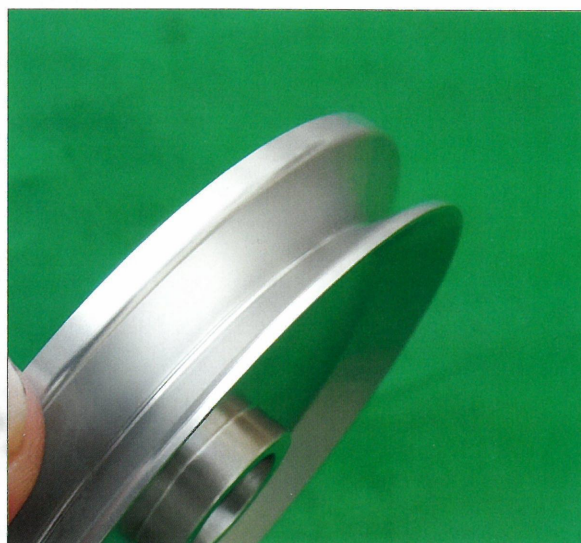
Optical fiber pulley used in optical fiber secondary sheathing line, tightly wrapped fiber production lines, fiber coloring rewinder, fiber tension screening rewinder, fiber optic top rewinder and other optic fiber production equipment. Its operating speed from a few hundred to ten thousand per minute, so the fiber pulley have vary requirements, the requirements of high speed pulley must be light, thin, concentricity, high wear resistance, our company through a long period tests and experiments have been able to produce up to 10,000 rpm rotational speed fiber pulley, the quality of products to meet the demanding requirements of customers. our company now offers 60-170mm optical fiber wheels, the product range has been basically covered all equipment requirements, if necessary, we will provide test samples for your company.

表面处理 Surface Treatment



喷涂硬面材料

Spray hard surface material



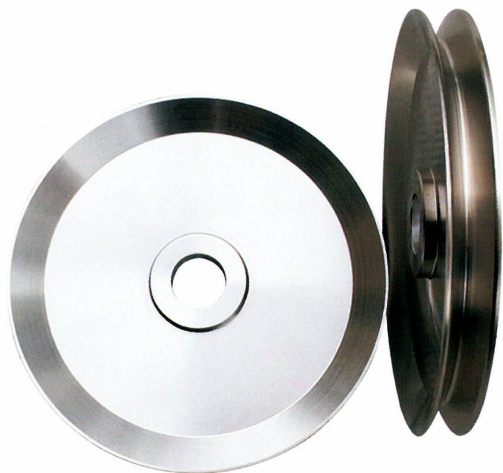
硬阳

Hard anodizing

Can be tailored to the customer a variety of other specifications of fiber optic pulley, to provide the latest product technical support

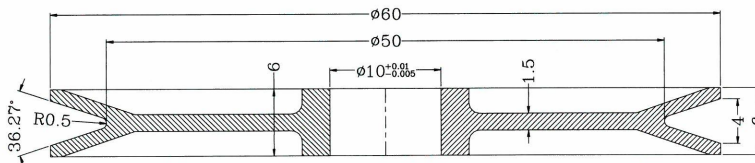
Φ60x6光纤轮

Φ60x6 FIBER OPTIC PULLEY



产品名称	编号	规格型号	实配轴承
Part name	Number	Model	Bearing
Φ60x6	A07-50008	Φ60x6	2-F676ZZ

Φ60x6



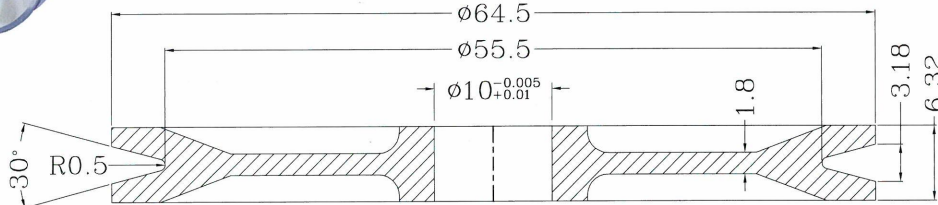
Φ64.5x6.32光纤轮

Φ64.5x6.32 FIBER OPTIC PULLEY



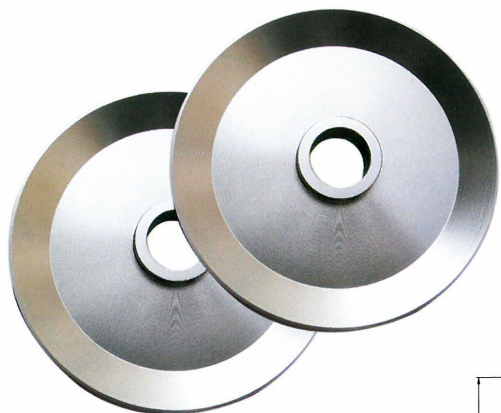
产品名称	编号	规格型号	实配轴承
Part name	Number	Model	Bearing
Φ64.5x6.32	A07-50013	Φ64.5x6.32	2-F676ZZ

Φ64.5x6.32



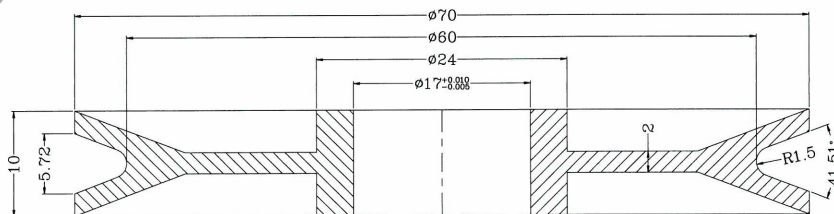
Φ70x10光纤轮

Φ70x10 FIBER OPTIC PULLEY



产品名称	编号	规格型号	实配轴承
Part name	Number	Model	Bearing
Φ70x10	A07-50056	Φ70x10	2-F697ZZ

Φ70x10



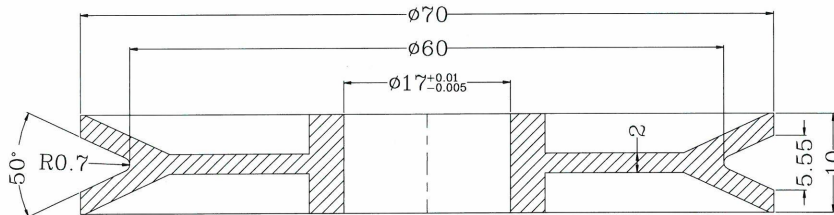
Φ70x10光纤轮本色

Φ70x10 FIBER OPTIC PULLEY



产品名称	编号	规格型号	实配轴承
Part name	Number	Model	Bearing
Φ70x10	A07-50057	Φ70x10	F606ZZ

Φ70x10

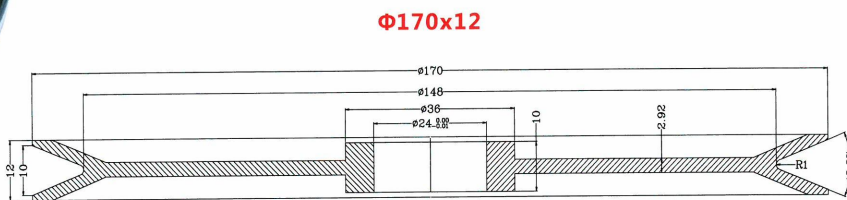


Φ170x12光纤轮

Φ170x12 FIBER OPTIC PULLEY



产品名称	编号	规格型号	实配轴承
Part name	Number	Model	Bearing
Φ170x12	A07-50207	Φ170x12	2-6802ZZ

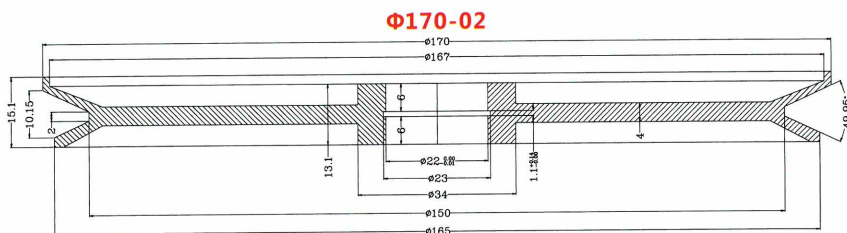
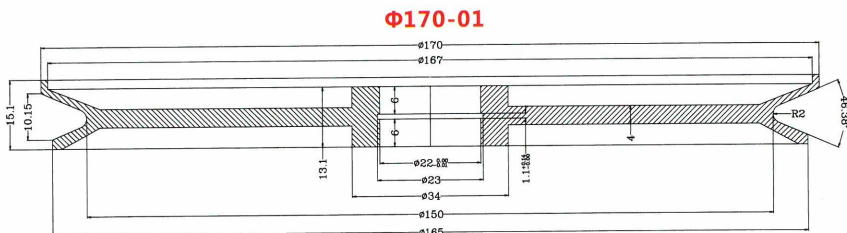


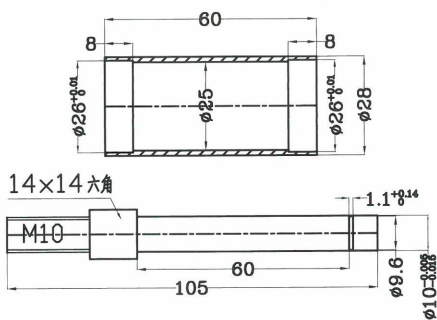
Φ170x15.1光纤轮

Φ170x15.1 FIBER OPTIC PULLEY

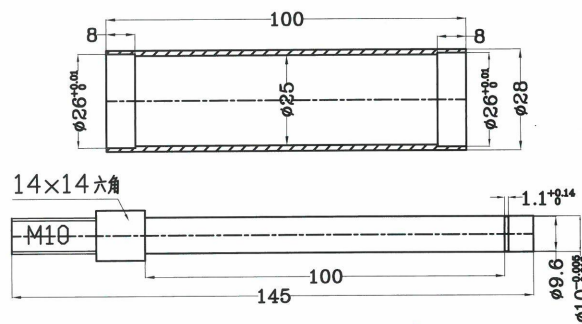


产品名称	编号	规格型号	实配轴承
Part name	Number	Model	Bearing
Φ170x15.1-01	A07-50210	Φ170x15.1	2-6900ZZ
Φ170x15.1-02	A07-50211	Φ170x15.1	2-6900ZZ

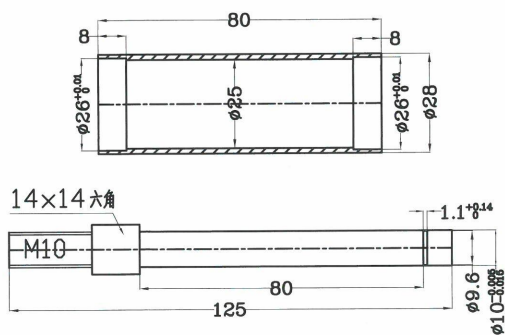




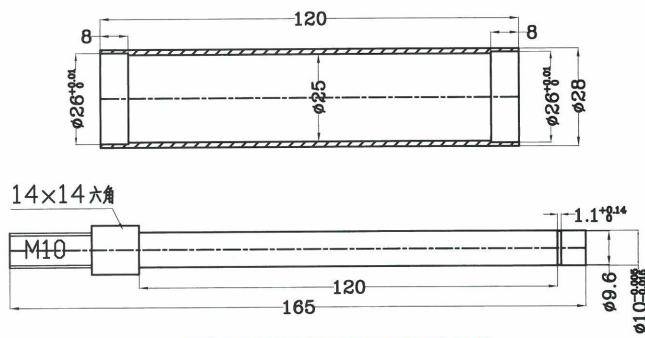
φ28*60滚筒 (M10牙/M8牙) 和轴



φ28*100滚筒 (M10牙/M8牙) 和轴



φ28*80滚筒 (M10牙/M8牙) 和轴



φ28*120滚筒 (M10牙/M8牙) 和轴

以上为滚筒/轴标准件，如需要其它规格，请来图来样定做!

The above are standard parts for rollers/shafts.

If you need other specifications, please refer to the drawing for customization

